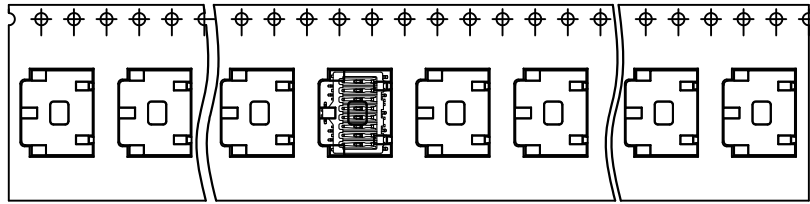


- NOTES:
- MATERIAL:
BODY: HI-TEMP. PLASTIC, BLACK, UL 94V-0
TERMINAL: COPPER ALLOY, T=0.10mm
 - FINISH:
TERMINA: 50u" Ni MIN UNDER PLATING OVER ALL
GOLD FLASH 1~3U" ON CONTACT AREA
 - CONTACT RESISTANCE 60 mΩ MAX
INSULATION RESISTANCE 1000mΩ MIN
HIGH VOLTAGE RESISTANCE 500V AC, 1 MINUTE
OPERATING VOLTAGE 10V DC
PEAK CURRENT 0.5A MAX
OPERATING TEMPERATURE -20°C/+85°C
STORAGE TEMPERATURE -20°C/+85°C
 - MECHANICAL LIFETIME MIN. 3000 MATING CYCLE
 - ALL DIMENSIONS MARKED ▼ MUST BE CONTROLLED BY QC
 - GP PASSED ACCORD WITH RoHS STANDARD
 - ALL DIMENSIONS MARKER (XX) MUST BE MEASURE BY FAI.

T-CARD PIN NO.	PIN NO.
C1	DATA2
C2	CD/DATA3
C3	CMD
C4	VCD
C5	CLK
C6	V _{SS2}
C7	DATA0
C8	DATA1

REV.	ECN NO.	DESCRIPTION	DATE	UNITS: mm	GENERAL TOLERANCE	DRAW:	PART NO:
A		NEW	09/10/2015		X. ±0.25 .X ±0.15 .XX ±0.10 .XXX ±0.05	CHECKED:	S105-1B02F13F
					X' ±5.00' .X' ±3.00' .XX' ±1.00' .XXX' ±0.50'	APPROVE:	TITLE: T-CARD 卡座 板上1.35H
					MATERIAL:		DRAWING NO:
					FINISH: SEE NOTE		

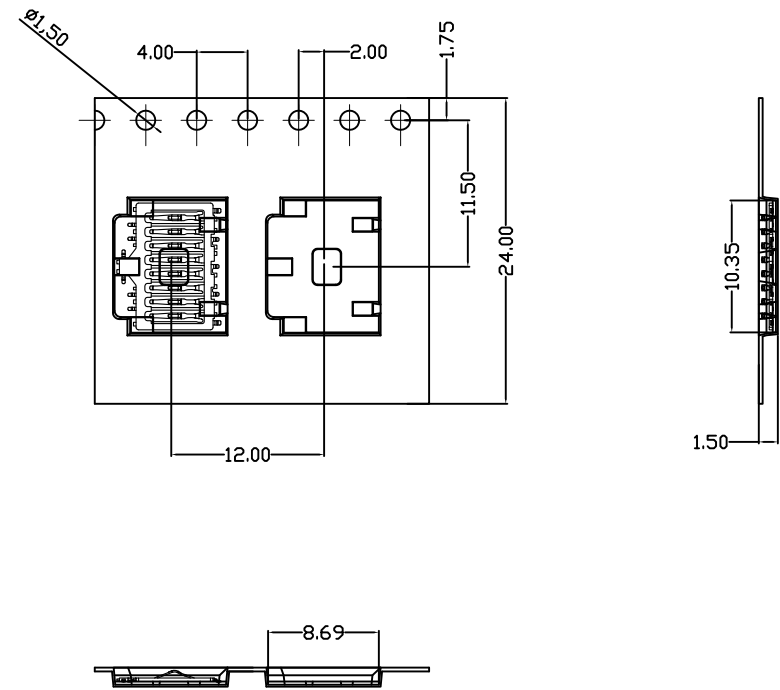
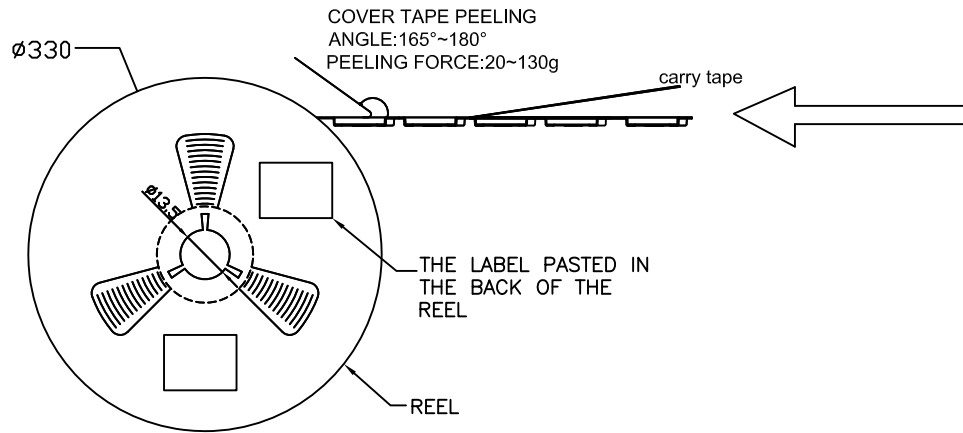





16 PCS EMPTY

PACKING Q' TY:3200PCS

16 PCS EMPTY



- 注: 1. 模具开口单边需成30度 / 深0.50mm的倒角
 2. 所有未注拔模角度5度
 3. 设定模数204模
 4. 10个边孔的累计公差不能超过±0.2mm.
 5. 材料规格: PS 透明材料, 厚度 0.35mm.
 6. 13英寸卷轮卷装长度:22.368米,
 7. 13英寸卷轮包装零件总颗数:1600PCS
 8. 所有尺寸设计参照EIA-481-C-2003.
 9. 载带在250mm长度以内最大弯曲度不超过1mm.

				UNITS: mm	GENERAL TOLERANCE		DRAW:	PART NO:
				DATE: 10/30'15	X. ±0.30	X.* ±2.00*	CHECKED:	P-S105-1B02F13F
				SCALE: N/A	.X ±0.20	.X* ±1.00*	APPROVE:	TITLE: P-S105-1B02F13F
					.XX ±0.10	.XX* ±0.50*		DRAWING NO: SIM CARD -PACKING
					.XXX±0.05	.XXX*±0.10*		
A		NEW	10/30'2015	SHEET: 2/2	MATERIAL: SEE NOTE		 昆山捷皇电子精密科技有限公司 HONGRIDA ELECTRONIC TECHNOLOGY CO.,LTD.	
REV.	ECN NO.	DESCRIPTION	DATE	REV. A	FINISH: SEE NOTE	