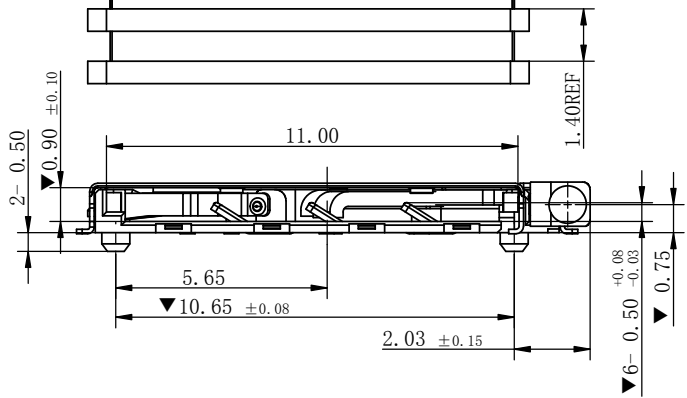
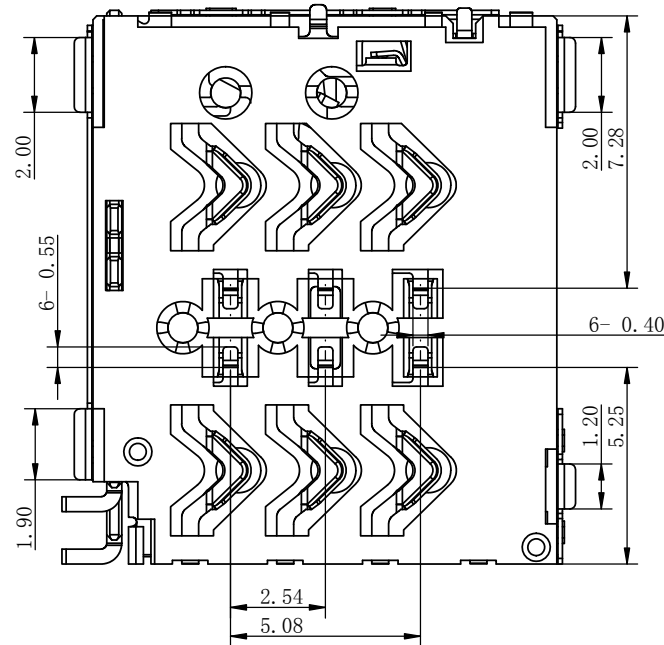
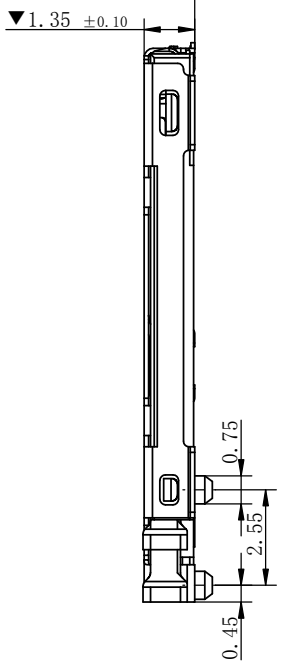
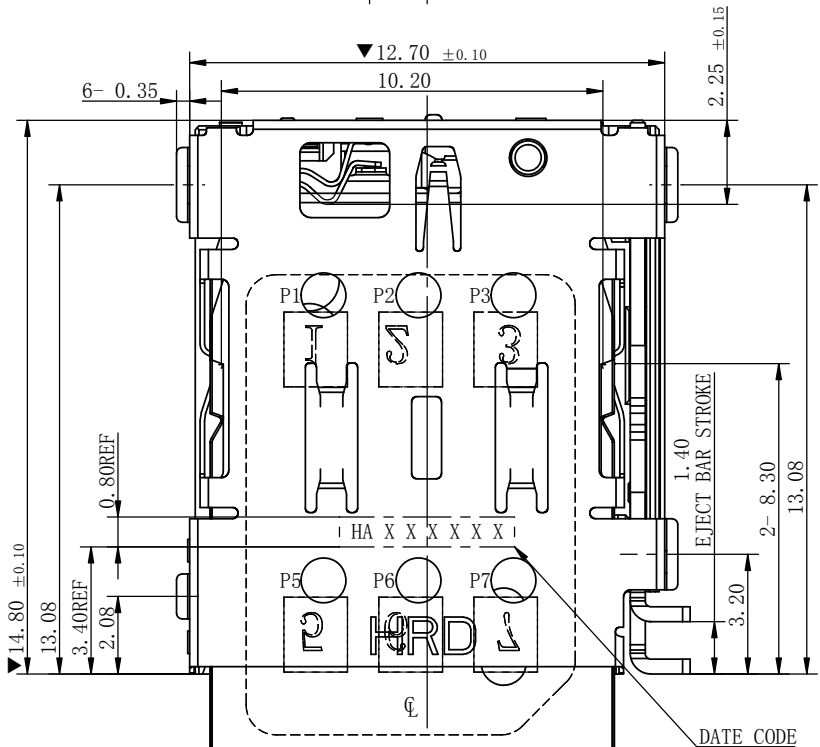


	▼0.08	Bfore IR
	▼0.10	AFTER IR

D/C PART NO

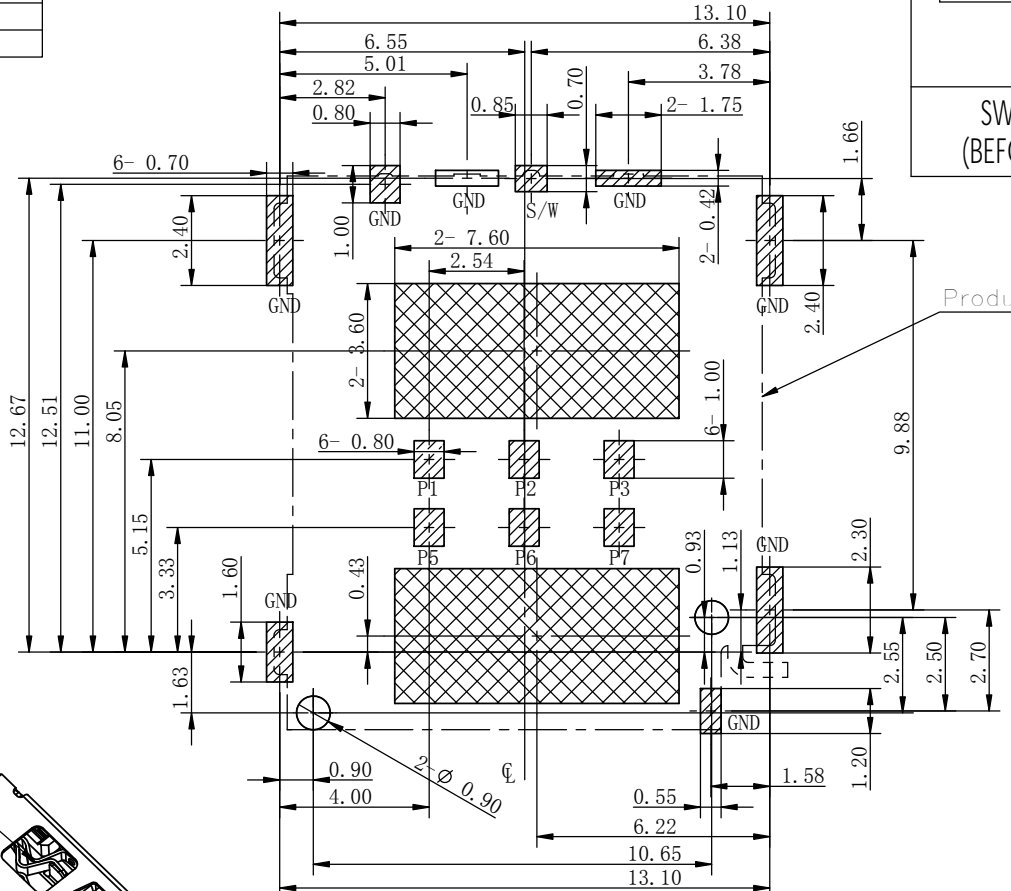
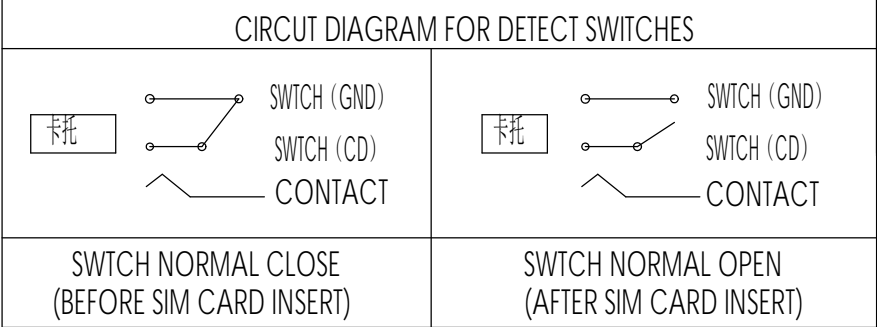
H X X X X X X

H=HRD
 电镀: A=Au 5U"
 年: 8=2018年
 9=2019年
 0=2020年
 线别: A=A线、B=B线.....
 班别: 1=白班
 2=夜班
 日: 1=1日, 2=2日.....
 A=10日, B=11日.....
 (WITH OUT I、O、Z)
 月: 1=1月, 2=2月.....
 A=10月, B=11月.....



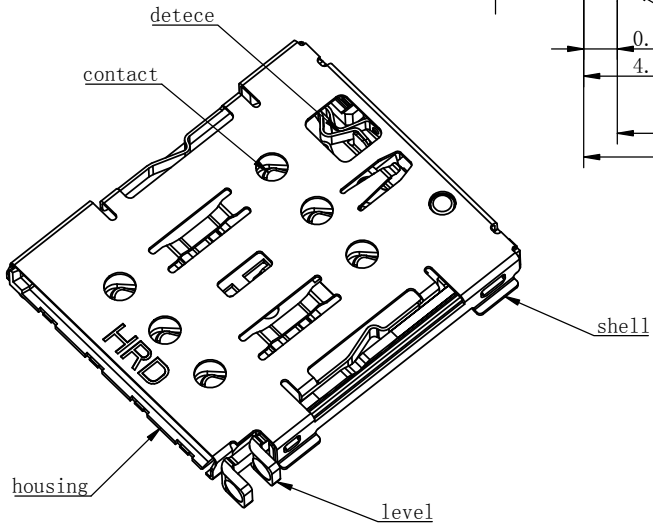
				UNITS: mm	GENERAL TOLERANCE	DRAW:	PART NO: S183-2B06F13A-1
				DATE: 09/12/2018	X. ±0.20 .X' ±0.15 .XX ±0.10 .XXX ±0.05	X." ±2.00 .X' ±1.00 .XX' ±0.5"	TITLE: 1.35H NANO SIM CARD CONNECTOR.
				SCALE: 7/1		APPROVE:	DRAWING NO: C-S183-0001
REV. A	ECN NO.	DESCRIPTION 检测P加折弯, 新料号	DATE 2018.09.12	SHEET: 1/2	MATERIAL: Customer drawing	昆山捷皇电子精密科技有限公司 HONGRIDA ELECTRONIC TECHNOLOGY CO., LTD.	
				FINISH: SEE NOTE			

SIM CARD PIN NO.	NAME
PIN-1	VCC
PIN-2	RST
PIN-3	CLK
PIN-5	GND
PIN-6	VPP
PIN-7	I/O



NOTES:
 1. PRODUCT SPECIFICATIONS:
 Voltage Rating: 10V
 Current Rating: 0.5A
 Contact Resistance: 50 mΩ Max.
 Insulation Resistance: 1000 MΩ Min.
 Withstanding Strength: 500 AC For 1 Minute.
 Operation Temperature: -25° TO +85°.
 Durability: 3000 Cycles.
 Insertion Force & Withdrawing Force (For Tray type): 200~1000gf.
 Retention Force (For Tray type): 300~1000gf.
 Normal Force: 30~80gf Min.
 Switch PIN positive force: 20gf Min.

ITEM	PART NAME	MATERIAL	FINISH	QTY
1	Eject Bar	SUS304-3/4H T=0.40mm	Polishing&Cleanout	1
1	lever	SUS304-3/4H T=0.40mm	Polishing&Cleanout	1
1	Detece	C7025-TM03 T=0.12mm	5u" AU MIN. ON CONTACT AREA GOLD FLASH ON SOLD AREA, 50u" NI MIN. UNDERPLATING OVER	1 ALL
1	Contact	C5240-SH T=0.10mm	10u" AU MIN. ON CONTACT AREA GOLD FLASH ON SOLD AREA, 50u" NI MIN. UNDERPLATING OVER	1 ALL
1	Shell	SUS304-3/4H T=0.12mm	GOLD FLASH ON SOLD AREA, 50u" NI MIN. UNDERPLATING OVER	1 ALL
1	Housing	LCP S475 UL94 V-0	NA	1

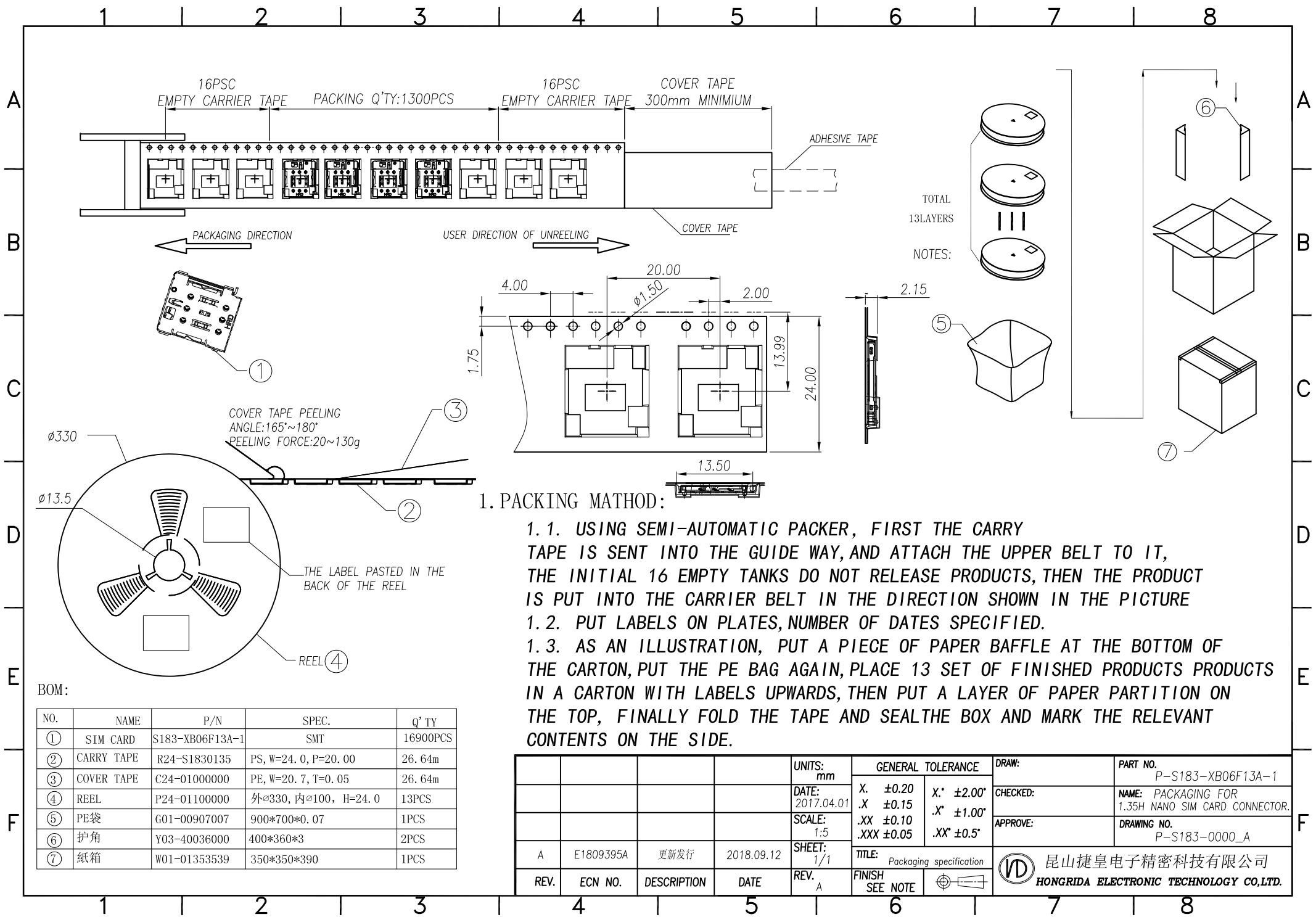


PCB LAYOUT(TOP VIEW)

TOLERANCE ±0.05

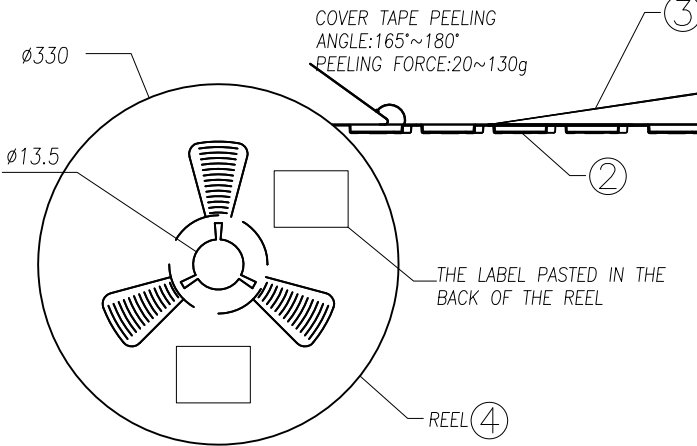
- 焊接区域
- 表面禁止布线区域

REV.	ECN NO.	DESCRIPTION	DATE	UNITS: mm	GENERAL TOLERANCE	DRAW:	PART NO:
				DATE: 09/12/2018	X. ±0.20 .X ±0.15 .XX ±0.10 .XXX ±0.05	CHECKED:	S183-2B06F13A-1
				SCALE: 7/1	X." ±2.00 .X" ±1.00 .XX" ±0.5"	APPROVE:	TITLE: 1.35H NANO SIM CARD CONNECTOR.
A		检测P加折弯, 新料号	2018.09.12	SHEET: 2/2	MATERIAL: Customer drawing		DRAWING NO: C-S183-0001
				REV. A	FINISH: SEE NOTE		昆山捷皇电子精密科技有限公司 HONGRIDA ELECTRONIC TECHNOLOGY CO., LTD.



TOTAL
13LAYERS

NOTES:



1. PACKING MATHOD:

1. 1. USING SEMI-AUTOMATIC PACKER, FIRST THE CARRY TAPE IS SENT INTO THE GUIDE WAY, AND ATTACH THE UPPER BELT TO IT, THE INITIAL 16 EMPTY TANKS DO NOT RELEASE PRODUCTS, THEN THE PRODUCT IS PUT INTO THE CARRIER BELT IN THE DIRECTION SHOWN IN THE PICTURE
1. 2. PUT LABELS ON PLATES, NUMBER OF DATES SPECIFIED.
1. 3. AS AN ILLUSTRATION, PUT A PIECE OF PAPER BAFFLE AT THE BOTTOM OF THE CARTON, PUT THE PE BAG AGAIN, PLACE 13 SET OF FINISHED PRODUCTS PRODUCTS IN A CARTON WITH LABELS UPWARDS, THEN PUT A LAYER OF PAPER PARTITION ON THE TOP, FINALLY FOLD THE TAPE AND SEAL THE BOX AND MARK THE RELEVANT CONTENTS ON THE SIDE.

BOM:

NO.	NAME	P/N	SPEC.	Q' TY
①	SIM CARD	S183-XB06F13A-1	SMT	16900PCS
②	CARRY TAPE	R24-S1830135	PS, W=24. 0, P=20. 00	26. 64m
③	COVER TAPE	C24-01000000	PE, W=20. 7, T=0. 05	26. 64m
④	REEL	P24-01100000	外ø330, 内ø100, H=24. 0	13PCS
⑤	PE袋	G01-00907007	900*700*0. 07	1PCS
⑥	护角	Y03-40036000	400*360*3	2PCS
⑦	纸箱	W01-01353539	350*350*390	1PCS

REV.	ECN NO.	DESCRIPTION	DATE	REV.	FINISH SEE NOTE	UNITS: mm	GENERAL TOLERANCE	DRAW:	PART NO.
							X. ±0.20 .X ±0.15 .XX ±0.10 .XXX ±0.05	X' ±2.00' .X' ±1.00'	P-S183-XB06F13A-1
						DATE: 2017.04.01		CHECKED:	NAME: PACKAGING FOR 1.35H NANO SIM CARD CONNECTOR.
						SCALE: 1:5		APPROVE:	DRAWING NO. P-S183-0000_A
A	E1809395A	更新发行	2018.09.12			SHEET: 1/1	TITLE: Packaging specification		
				A					

昆山捷皇电子精密科技有限公司
 HONGRIDA ELECTRONIC TECHNOLOGY CO.,LTD.