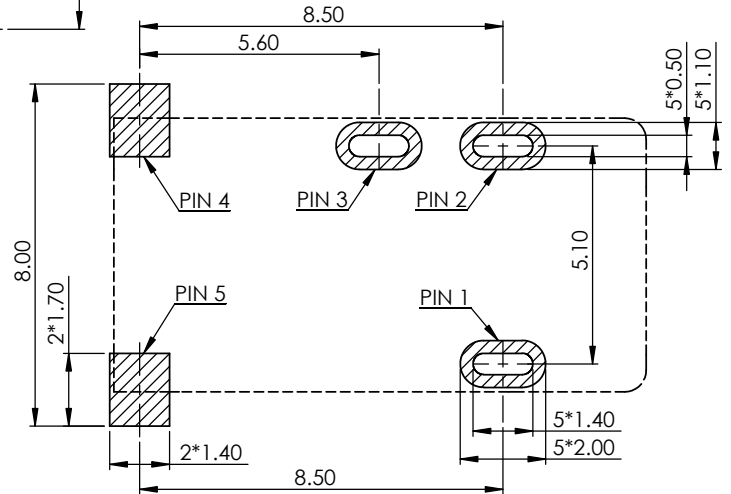
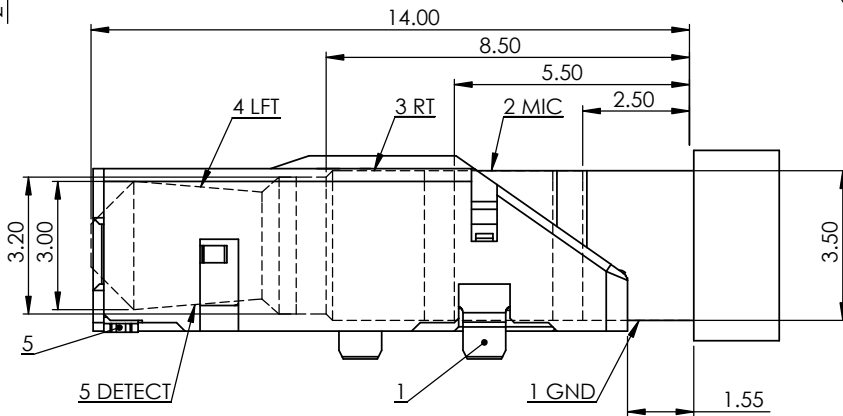
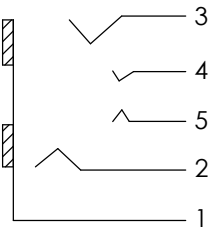
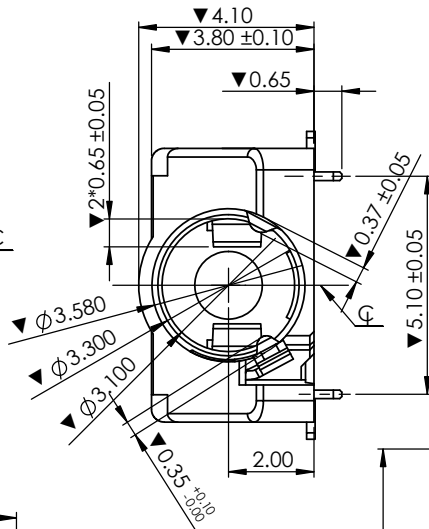
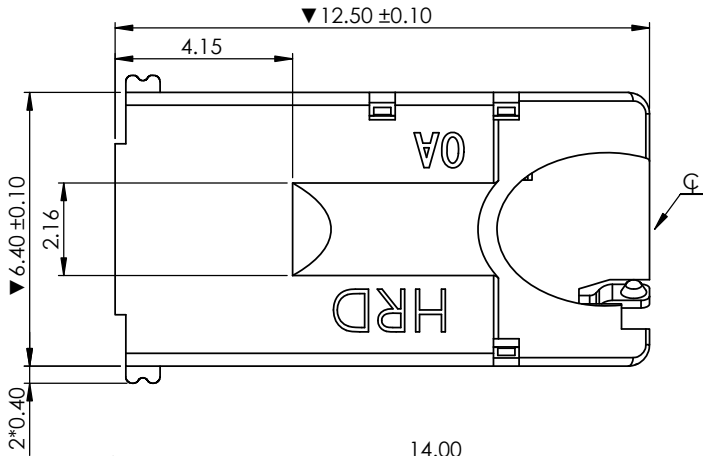
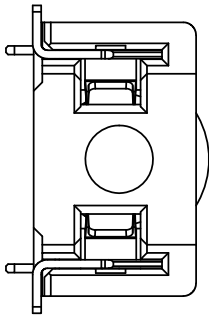
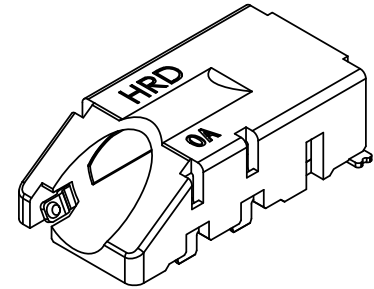
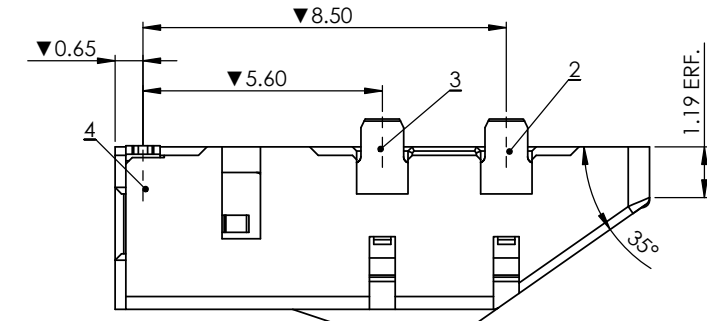


NO	DESCRIPTION
1	GND
2	MIC
3	RT
4	LET
5	DETECT



NOTES:  
 1. MATERIAL:  
 BODY: PA 9T, BLACK, UL 94V-0  
 TERMINAL: COPPER ALLOY, T=0.20mm  
 2. FINISH:  
 TERMINAL: 50μ" MIN NI UNDER PLATING OVER ALL  
 GOLD FLASH UNDER PLATING OVER ALL  
 3. ALL DIMENSIONS MARKED ▼ MUST BE CONTROLLED BY QC

REV.	ECN NO.	DESCRIPTION	DATE	REVISION	FINISH:	SEE NOTE	SYMBOL	DRAW:	PART NO:
		NEW	12/26/2014	1/1	SEE NOTE			CHECKED:	PH20-0A38F38C
								APPROVE:	TITLE: φ3.5MM PHONE JACK CONN. 板上前插后贴型·H=3.80mm
									DRAWING NO:



昆山捷皇电子精密科技有限公司  
 HONGRIDA ELECTRONIC TECHNOLOGY CO., LTD.