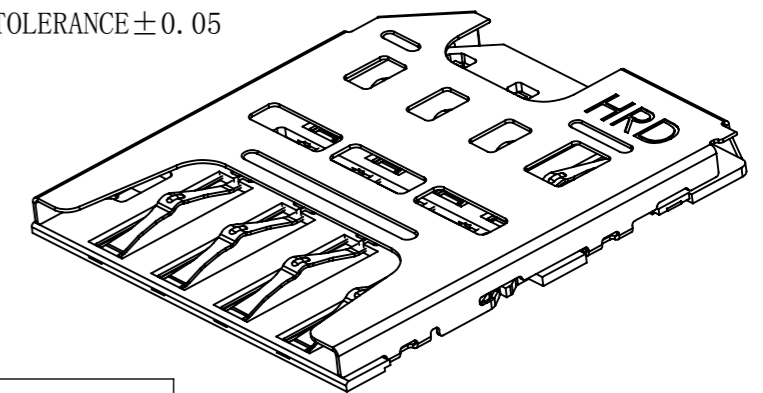


OPEN WIRE AND COPPER RESTRICTED AREA  
 1. TOUCH AREA OF CONTACT TIPS, NO ELECTRICAL FUNCTION AND ONLY FOR MECHANICAL FUNCTION  
 2. NO FIRST PCB-LAYOUT CIRCUITS IN THE AREA  
 RECOMMENDED PCB LAYOUT  
 GENERAY TOLERANCE ±0.05



- NOTES:
- MATERIAL:  
HOUSING: LCP, BLACK, UL 94V-0  
CONTACT: PHOSPHOR BRONZE, T=0.08MM  
SHELL: STAINLESS STEEL T=0.10MM
  - FINISH:  
CONTACT: 50u"min PLATING OVER ALL GOLD FLASH ON THE CONTACT AREA AND SOLDER AREA  
SHELL: SELECTIVE GOLD FLASH IN SOLDER TAIL AREA 50u"NI min. PLATING OVER ALL
  - GP PASSED ACCORD WITH HRD-RoHS-219 STANDARD.
  - ALL DIMENSIONS MARKED ▼ MUST BE CONTROLLED EVERYDAY BY QC
  - RATED PARAMETERS OF CONNECTOR  
4-1. Operating temperature: -40°C to 85°C  
4-2. Rated Current: 0.5A  
4-3. Rated Voltage: 30V DC Per Contact
  - ELECTRICAL MECHANICAL ENVIRONMENTAL  
5-1. Dielectric withstanding Voltage : 500V AC 1min.  
5-2. Insulation Resistance: 1000 MΩMin.  
5-3. Normal Force: 100g Min. Per Pin  
5-4. Durability: 1500 cycles  
5-5. Contact Resistance: 100mΩ MAX.

PIIN/NO.	ASSIGNMENT
P1	V <sub>CC</sub> (SUPPLY VOLTAGE)
P2	RST(RESET SIGNAL)
P3	CLK (CLOCK SIGNAL)
P4	RESERVED
P5	GND
P6	V <sub>PP</sub> (VARIABLE SUPPLY BOLTAGE)
P7	I/O (DATA INPUT/OUTPUT)
P8	RESERVED
S/W	SWITCH PIN

	WHEN CARD IS WITHDRAWAL	WHEN CARD IS INSERTED
P5	OPEN	SHORT
S/W	P5 ◯ SW	C5 ◯ SW

REV.	ECN NO.	DESCRIPTION	DATE	REV. C	FINISH: SEE NOTE	UNITS: mm	GENERAL TOLERANCE	DRAW:	PART NO:
E	E1809374A	塑胶卡点加胶,改善塑胶陷入铁壳的不良现象	09/14/2018	DATE: 06/2/2017	X. ±0.20 .X ±0.15 .XX ±0.10 .XXX ±0.05	X.° ±2.00° .X° ±1.00° .XX° ±0.50° .XXX° ±0.10°	SCALE: 6/1	CHECKED:	S131-1B09F13A
D	E1806201A	端子修改结构	06/11/2018	SHEET: 1/2	TITLE: CUSTOMER DRAWING	APPROVE:	NAME: 1.27H MICRO SIM CARD CONN.		
C	E1804104A	铁壳加凸筋 端子修改结构	04/11/2018	REV. C	FINISH: SEE NOTE	APPROVE:	DRAWING NO: C-S131-0000_E		
B	E1706141A	铁壳加凸筋 端子修改结构	06/02/2017						

昆山捷皇电子精密科技有限公司  
 HONGRIDA ELECTRONIC TECHNOLOGY CO.,LTD.