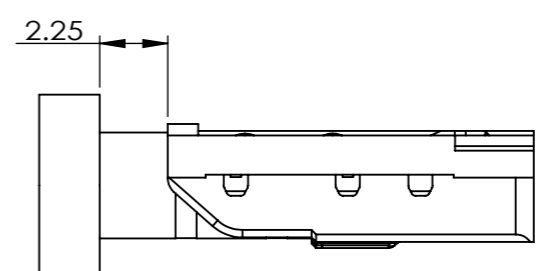
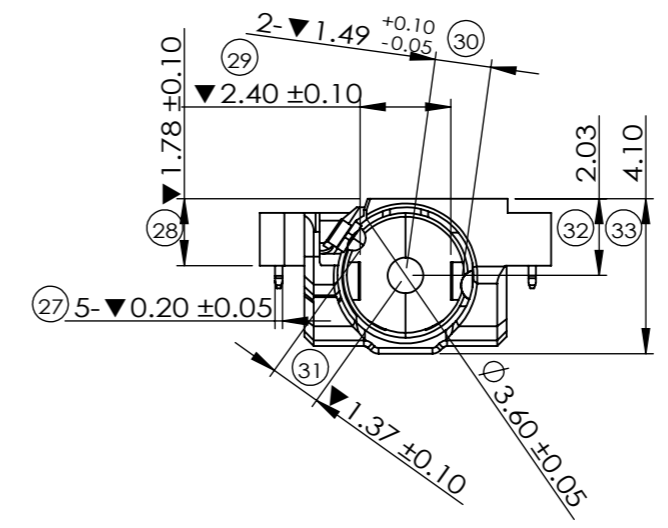
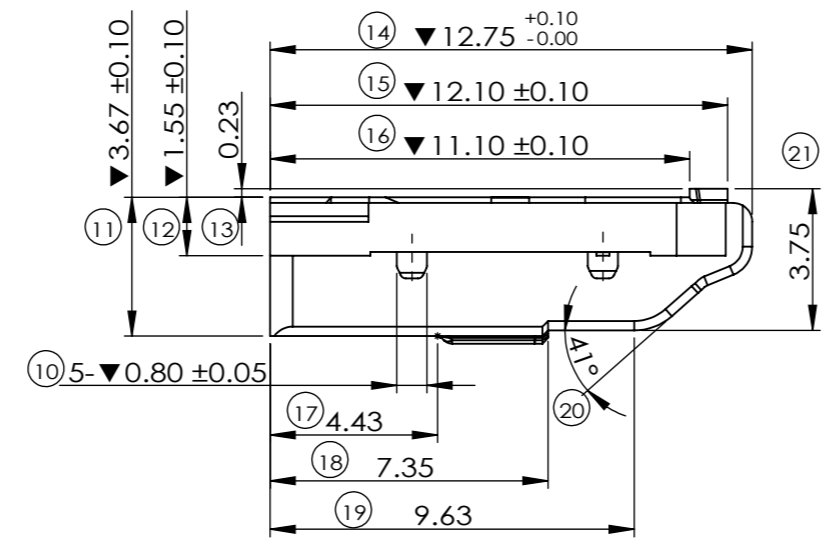
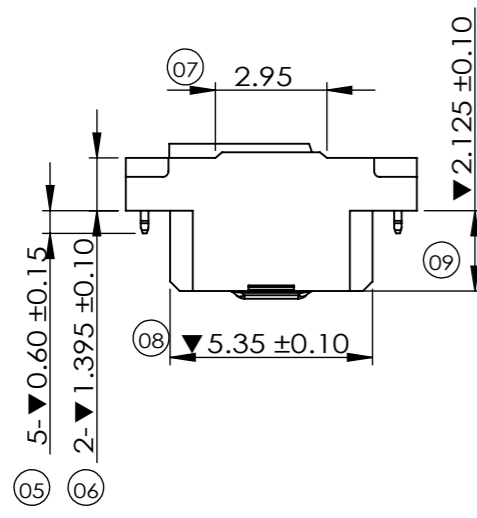
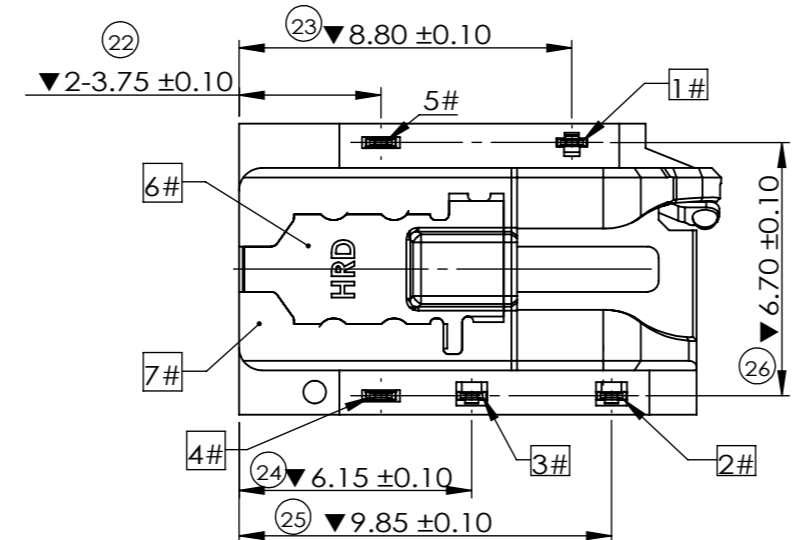


PCB LAYOUT(TOP VIEW)
SCALE 5 : 1(TOLERANCE±0.05)



PLUG MATED DIMENSION



NO.	DESCRIPTION
1	GND / MIC+
2	MIC+ / GND
3	R AUDIO
4	L AUDIO / DETECT
5	DETECT / L AUDIO

NOTES:
 1.MATERIAL:
 HOUSING:PA 9T,BLACK,UL 94 V-0
 CONTACT:SEE TABLE
 2.FINISH:
 15u" Min Au PLATING ON CONTACT AREA
 1u" Min Au PLATING ON SOLDER AREA
 50u" Ni UNDER PLATING OVER ALL
 3.ALL DIMENSIONS MARKED ▼ MUST BE CONTROLLED BY QC
 4.ALL DIMENSIONS MARKED (XX) MUST BE MEASURE BY FAI
 5.PRODUCT SPECIFICATIONS:
 5-1 WITHSTANDING VOLTAGE: 500V AC/MINUTE
 5-2 CONTACT RESISTANCE: 50 mΩ Max.
 5-3 INSULATION RESISTANCE: 1000 MΩ Min.
 5-4 BEFORE DURABILITY : MATING FORCE : 5-20 N.
 UNMATING FORCE : 5-20 N.
 5-5 AFTER DURABILITY:MATING FORCE : 4-20 N.
 UNMATING FORCE:4-20 N.
 5-6 OPERATION TEMPERATURE : -55° TO +85°
 5-7 DURABILITY : 5000 CYCLES

NO.	Parts Name	Q'TY	Material	Finish	Remarks
7	HOUSING	1	PA9T	UL94 V0	Black
6	CONTACT-6	1	SUS304		T=0.15
5	CONTACT-5	1	SUS304	Ni+Au	T=0.20
4	CONTACT-4	1	SUS304	Ni+Au	T=0.20
3	CONTACT-3	1	C5210-H	Ni+Au	T=0.20
2	CONTACT-2	1	C5210-H	Ni+Au	T=0.20
1	CONTACT-1	1	C5210-H	Ni+Au	T=0.20

UNITS: mm	GENERAL TOLERANCE		DRAW:	PART NO:
DATE: 03/05/2020	X. ±0.25	X.° ±2.00	CHECKED:	PH158-0B18C41A
SCALE: 5 / 1	.X ±0.20	.X° ±1.00	APPROVE:	NAME: ø3.50MM PHONE JACK CONN.
SHEET: 1 / 1	.XX ±0.15	.XX° ±0.50	DRAWING NO: C-PH158-0000	
REV. A	FINISH: SEE NOTE		鸿日达科技股份有限公司 HONGRIDA ELECTRONIC TECHNOLOGY CO.,LTD.	
REV.	ECN NO.	DESCRIPTION	DATE	