

NO	DESCRIPTION
1	GND
2	MIC
3	RT
4	LET
5	DETECT

A

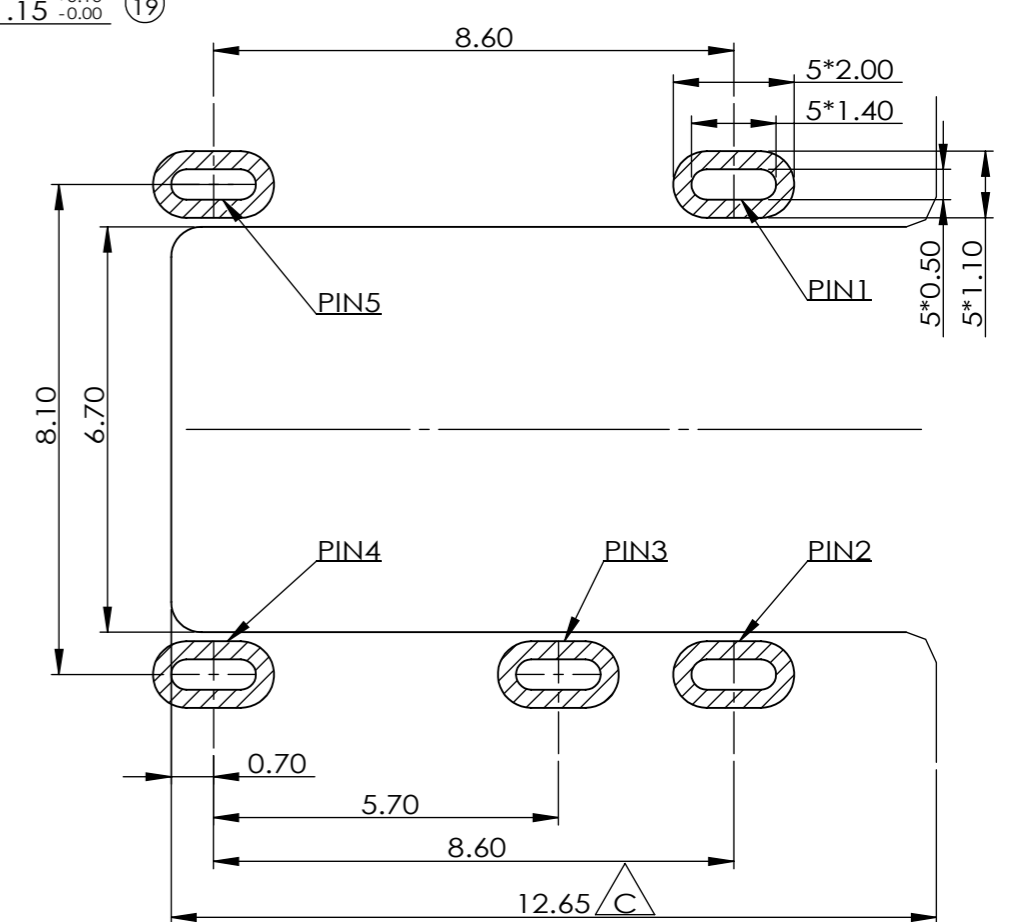
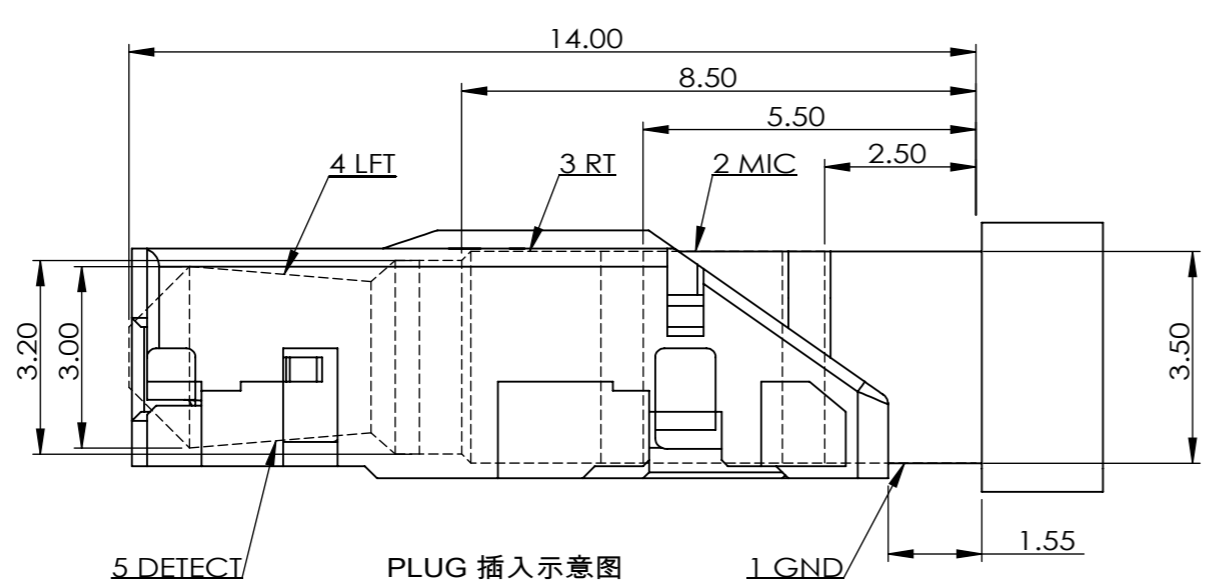
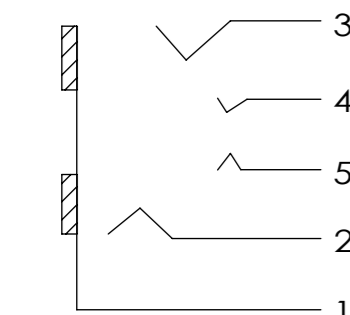
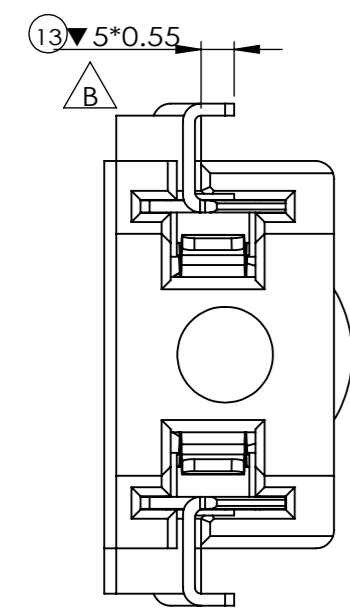
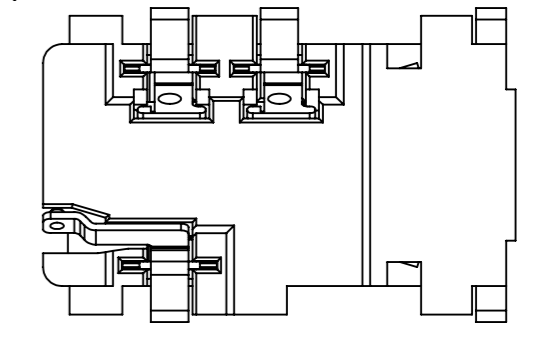
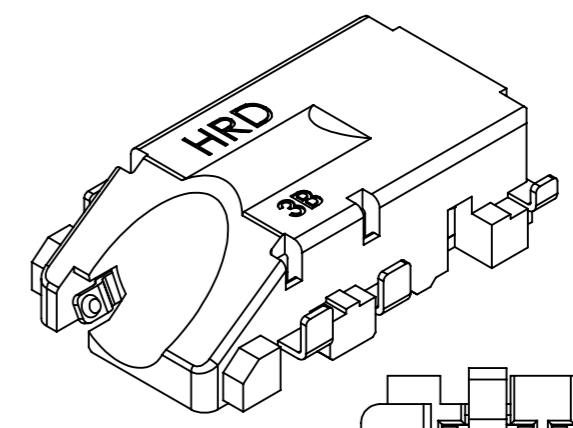
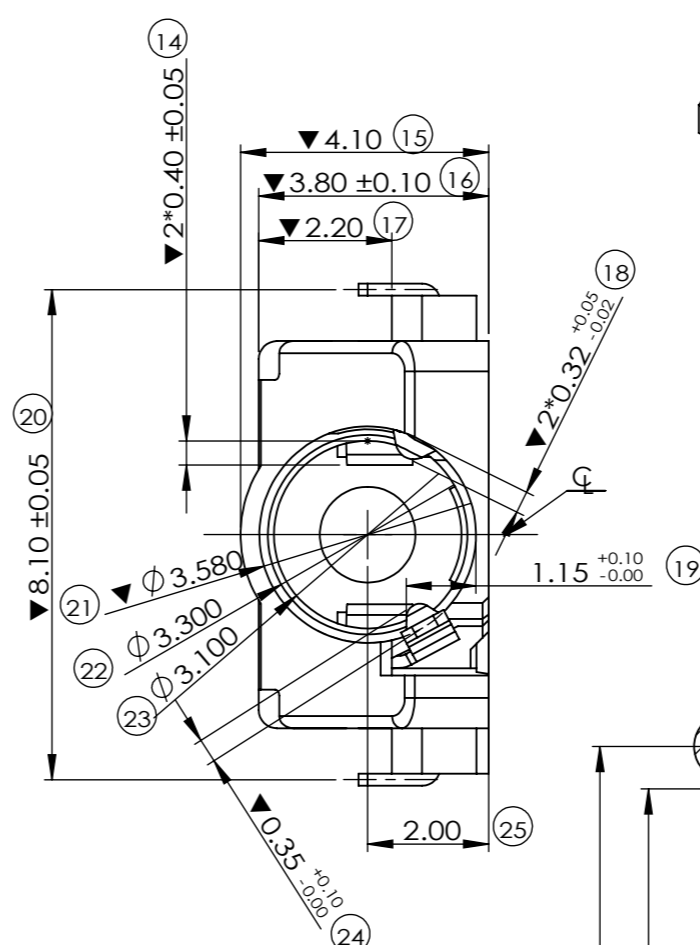
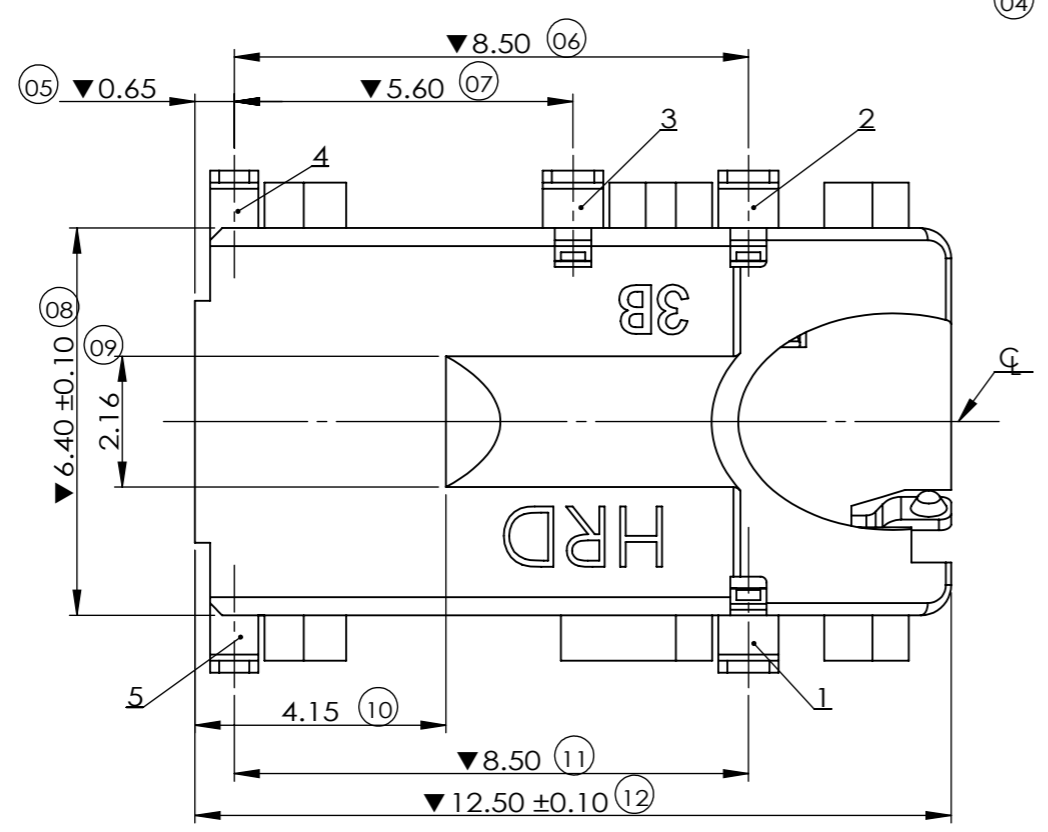
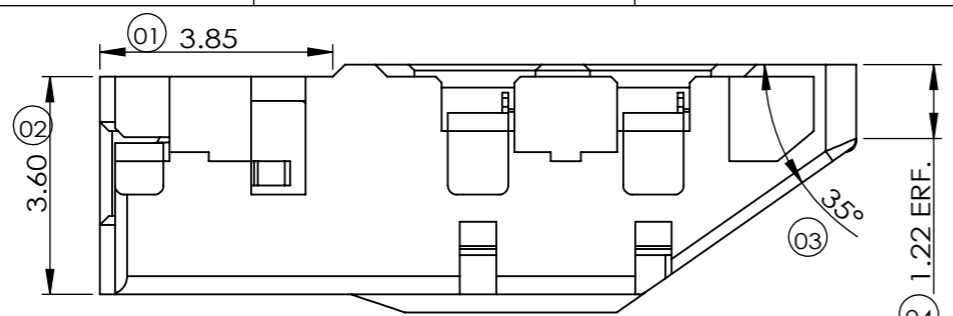
B

C

D

E

F



NOTES:  
 1.MATERIAL:  
 BODY:PA 9T,BLACK,UL 94  
 TERMINAL:1#/2#/3# COPPER ALLOY,T=0.20mm  
 4#/5# STAINLESS STEEL,T=0.20mm  
 2.FINISH:  
 TERMINA:50u" MIN Ni UNDER PLATING OVER ALL  
 1U"MIN AU PLATING ON CONTACT AND SOLDER AREA  
 3.ALL DIMENSIONS MARKED ▼ MUST BE CONTROLLED BY QC  
 4.ALL DIMENSIONS MARKER (XX) MUST BE MEASURE BY FAI.



REV.	ECN NO.	DESCRIPTION	DATE	REV.	A	FINISH: SEE NOTE	UNITS: mm	GENERAL TOLERANCE	DRAW:	PART NO:
C	E1910641A	修改电镀区域	10/31/2019	DATE:	09/05/2016	X. ±0.20 .X ±0.15 .XXX ±0.05	X.° ±2.00 .X° ±1.00 .XX° ±0.50	CHECKED:	DRAW:	PH23-3B16F38A-S
B	E1612567A	端子插脚加重点标注	12/30/2016	SCALE:	8 / 1			APPROVE:		TITLE: φ3.5MM PHONE JACK CONN. 反沉沉板2.20mm, H=3.80mm
A		NEW	09/05/2016	SHEET:	1 / 1					DRAWING NO:
REV.	ECN NO.	DESCRIPTION	DATE	REV.	A	FINISH: SEE NOTE				



鸿日达科技股份有限公司  
 HONGRIDA ELECTRONIC TECHNOLOGY CO.,LTD.

A

B

C

D

E

F