

RECOMMENDED PCB LAYOUT
TOLERANCE: ±0.05
STENCIL THICKNESS 0.10mm

CONTACT NO.	SIGNAL NO.
1	VBUS
2	D-
3	D+
4	ID
5	GND
SHELL	SHIELD

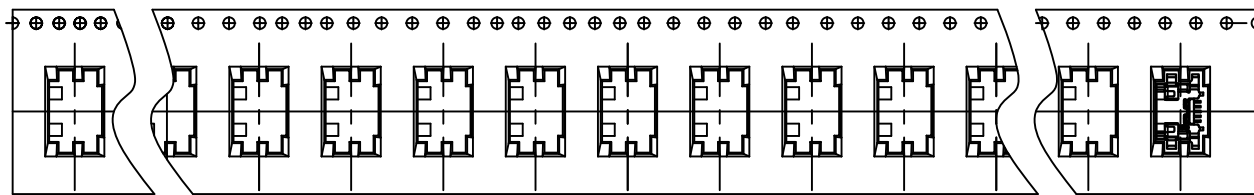
- NOTES:
- MATERIAL:
HOUSING: LCP E471i.
CONTACT: C2680-H.
SHELL: SUS304-3/4H.
 - FINISH:
CONTACT: 30u" AU MIN PLATED ON CONTACT AREA
1u" AU MIN ON SOLDER AREA
80u" NI MIN UNDERPLATED OVERALL
SHELL: 50u" NI MIN UNDERPLATED OVERALL
70~110u" MATTE TIN PLATED OVERALL
 - PRODUCT SPECIFICATIONS:
3-1 Voltage: 12V AC
3-2 Current: 3A.
3-3 OPERATION TEMPERATURE: -45° TO +85°
3-4 STORAGE TEMPERATURE: -45° TO +85°
 - ALL DIMENSIONS MARKED ▼ MUST BE CONTROLLED BY QC.
 - GP PASSED ACCORD WITH HRD-RoHS-219 STANDARD.
 - ALL DIMENSIONS MARKER (XX) MUST BE MEASURE BY FAI.

SHELL	SUS304-3/4H	50u" NI MIN UNDERPLATED OVERALL 70~110u" MATTE TIN PLATED OVERALL	1
CONTACT	C2680-H	30u" AU MIN PLATED ON CONTACT AREA 1u" AU MIN ON SOLDER AREA 80u" NI MIN UNDERPLATED OVERALL	5
HOUSING	LCP E471i , BLACK, UL 94V-0		1
DESCRIPTION	MATERIAL	FINISH	Q' TY

REV.	ECN NO.	DESCRIPTION	DATE	REV.	FINISH:	SEE NOTE	APPROVE:	PART NO:	TITLE:	DRAWING NO:
A		NEW	06/16/2017	A	SEE NOTE	SEE NOTE		U53-BB05D250	MICRO USB 5PIN 板上0.65mm 全插---直边	


昆山捷皇电子精密科技有限公司
 HONGRIDA ELECTRONIC TECHNOLOGY CO., LTD.

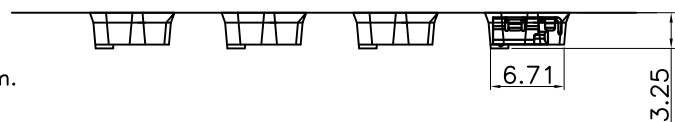
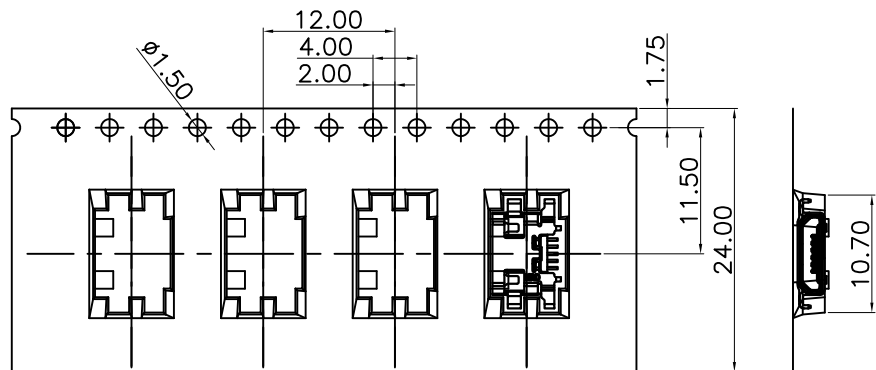
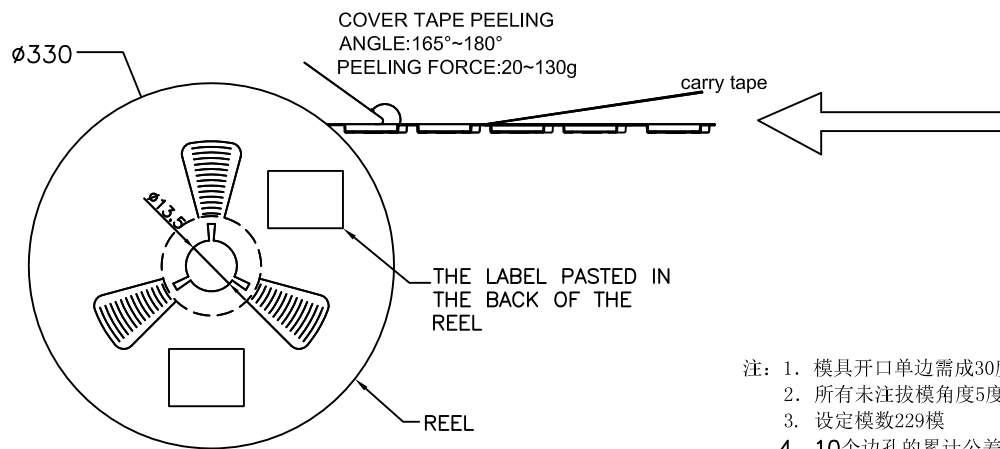
1 2 3 4 5 6 7 8



16PSC EMPTY CARRIER TAPE

PACKING Q'TY:1800PCS

16PSC EMPTY CARRIER TAPE



- 注: 1. 模具开口单边需成30度 / 深0.50mm的倒角
2. 所有未注拔模角度5度
3. 设定模数229模
4. 10个边孔的累计公差不能超过±0.2mm.
5. 材料规格: PS 透明抗静电, 厚度 0.30mm.
6. 13英寸卷轮卷装长度:19.584米.
7. 13英寸卷轮包装零件总颗数:1600PCS.
8. 所有尺寸设计参照EIA-481-C-2003.
9. 载带在250mm长度以内最大弯曲度不超过1mm.

U53-BB05D250	1800PCS	12	21600	350*350*390
U53-BB05C250	1800PCS	12	21600	350*350*390
PART NO.	Q'TY/REEL	REEL/GARTON	Q'TY/CARTON	CATTON SIZE

				UNITS: mm	GENERAL TOLERANCE		DRAW:	PART NO: U53-BB05D250
				DATE: 06/16/17	X. ±0.30 .X ±0.20 .XX ±0.10	X.' ±2.00' .X' ±1.00' .XX' ±0.50'	CHECKED:	TITLE: MICRO USB 5PIN 板上0.65mm 全插--直边
				SCALE: 1/1	MATERIAL: SEE NOTE		APPROVE:	DRAWING NO:
A		NEW	06/16/17	SHEET: 2/2	FINISH: SEE NOTE		昆山捷皇电子精密科技有限公司 HONGRIDA TECHNOLOGY CO.,LTD.	
REV.	ECN NO.	DESCRIPTION	DATE	REV. A				

1 2 3 4 5 6 7 8