

RECOMMENDED PCB LAYOUT
TOLERANCE: ±0.05
STENCIL THICKNESS 0.10mm

CONTACT NO.	SIGNAL NO.
P1	VBUS
P2	D-
P3	D+
P4	ID
P5	GND
SHELL	SHIELD

- NOTES:
- MATERIAL:
HOUSING: LCP.
CONTACT: COPPER ALLOY.
SHELL: STAINLESS STEEL.
 - FINISH:
CONTACT: AU 30u" PLATED ON CONTACT AREA ,
AU 1-3u" PLATED ON SOLDER AREA
50u" NI MIN UNDERPLATED OVERALL
SHELL: MATTE TIN 30u"-80u" PLATED
30u" NI MIN UNDERPLATED OVERALL
 - PRODUCT SPECIFICATIONS:
3-1 Voltage: 12V AC
3-2 Current: 3A.
3-3 OPERATION TEMPERATURE: -45° TO +85°
3-4 STORAGE TEMPERATURE: -45° TO +85°
 - ALL DIMENSIONS MARKED ▼ MUST BE CONTROLLED BY QC.
 - GP PASSED ACCORD WITH HRD-RoHS-219 STANDARD.
 - ALL DIMENSIONS MARKER (XX) MUST BE MEASURED BY FAI.

DESCRIPTION	MATERIAL	FINISH	Q' TY
SHELL	STAINLESS STEEL	PLATING MATTE TIN 30u"-80u" 30u" NI MIN UNDER PLATED OVERALL	1
CONTACT	COPPER ALLOY	PLATING AU 30u" ON CONTACT AREA , Au 1-3u" MIN ON SOLDER AREA 50u" NI MIN UNDER PLATED OVERALL	5
HOUSING		LCP , BLACK, UL 94V-0	1

REV.	ECN NO.	DESCRIPTION	DATE	REV.	FINISH:
A		NEW	12/27/2016	A	SEE NOTE

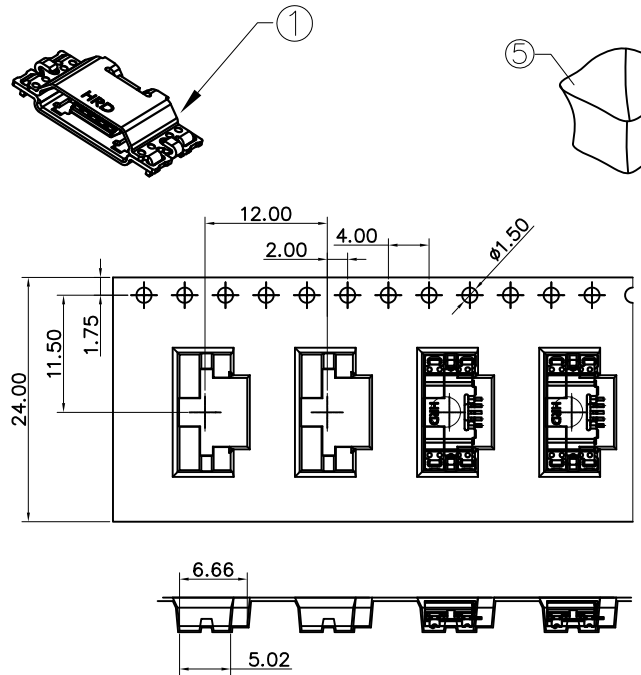
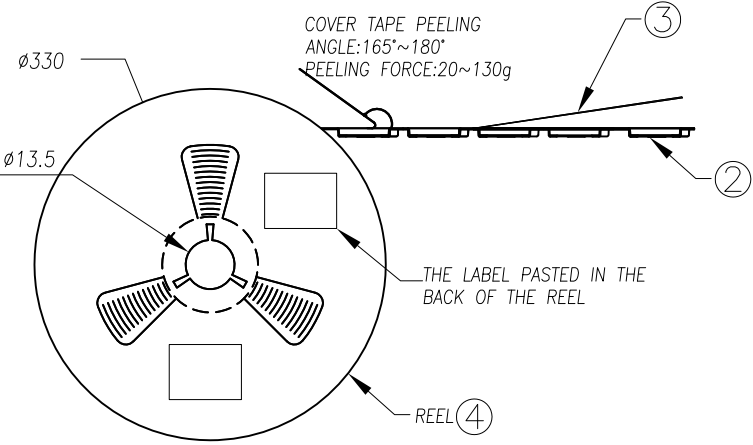
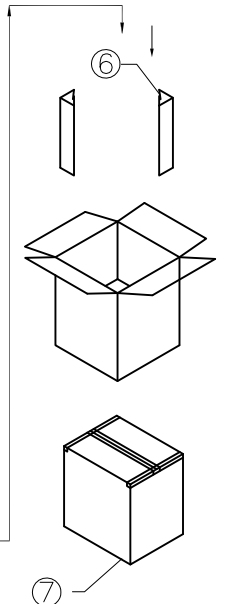
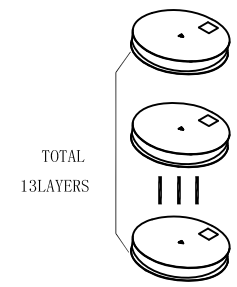
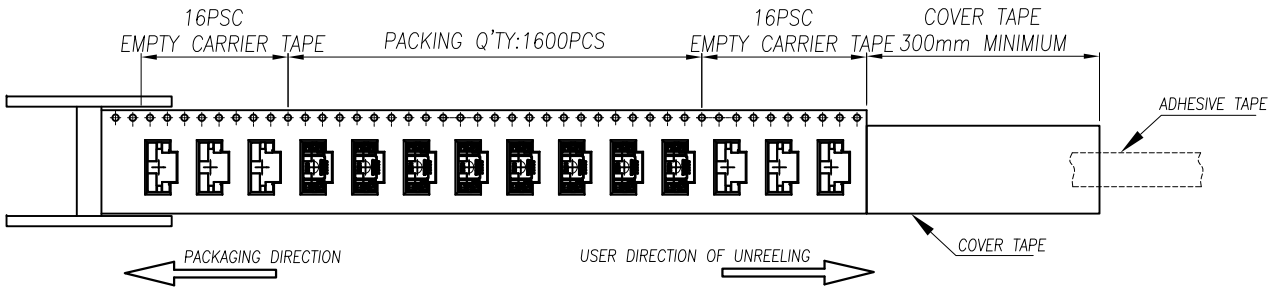
UNITS:	GENERAL TOLERANCE	DRAW:	PART NO:
mm	X. ±0.30 X' ±2.00	CHECKED:	U39-AB05C180
DATE:	.X ±0.20 .X' ±1.00	APPROVE:	TITLE: MICRO USB SPIN 板上1.77mm
SCALE:	.XX ±0.10 .XX' ±0.50		DRAWING NO:
10/1	.XX ±0.05		
SHEET:	MATERIAL:		
1/1	SEE NOTE		

昆山捷皇电子精密科技有限公司
HONGRIDA ELECTRONIC TECHNOLOGY CO., LTD.

1 2 3 4 5 6 7 8

A
B
C
D
E
F

A
B
C
D
E
F



BOM:

NO.	NAME	P/N	SPEC.	Q' TY
①	SIM CARD	U39-AB05C180	USB	20800PCS
②	CARRY TAPE	R24-U3901800	PS, W=24.0, P=12.00	254.592m
③	COVER TAPE	C24-01000000	PE, W=20.7, T=0.05	254.592m
④	REEL	P24-01100000	外$\phi 330$, 内$\phi 100$, H=24.0	13PCS
⑤	PE袋	G01-00907007	900*700*0.07	1PCS
⑥	护角	Y03-40036000	400*360*3	2PCS
⑦	纸箱	W01-01353539	350*350*390	1PCS

REV.	ECN NO.	DESCRIPTION	DATE	REV.	FINISH SEE NOTE	UNITS: mm	GENERAL TOLERANCE	DRAW:	PART NO.
A	-----	NEW	2016.12.27	A			X. ± 0.20 .X ± 0.15 .XX ± 0.10 .XXX ± 0.05		P-U39-AB05C180
							X' $\pm 2.00'$.X' $\pm 1.00'$.XX' $\pm 0.5'$	CHECKED:	TITLE: PACKAGING FOR 1.77H MICRO USB CONN.
								APPROVE:	DRAWING NO.
							MATERIAL:	昆山捷皇电子精密科技有限公司 HONGRIDA ELECTRONIC TECHNOLOGY CO.,LTD.	

1 2 3 4 5 6 7 8