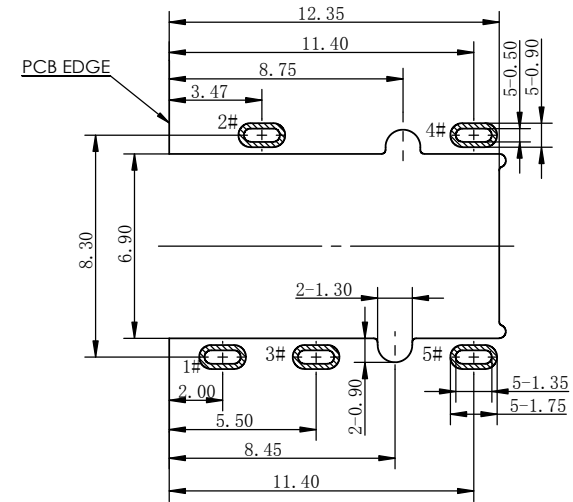
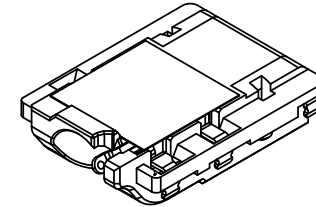
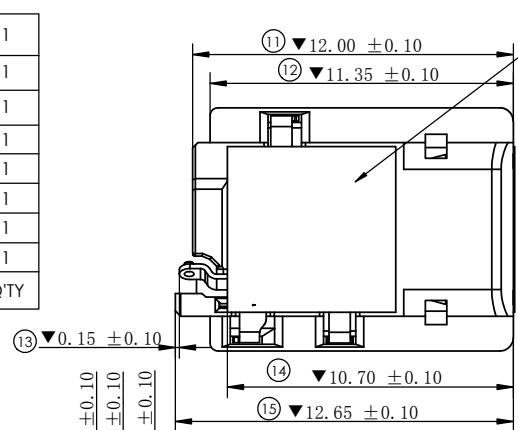
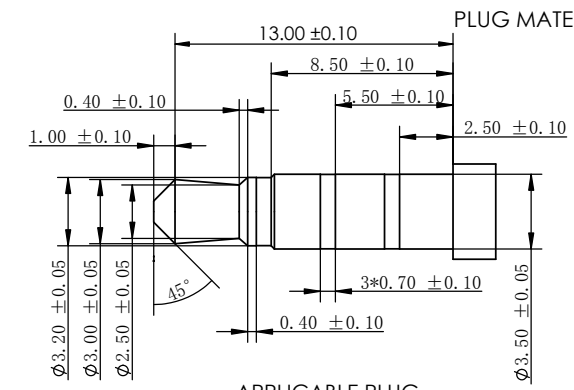
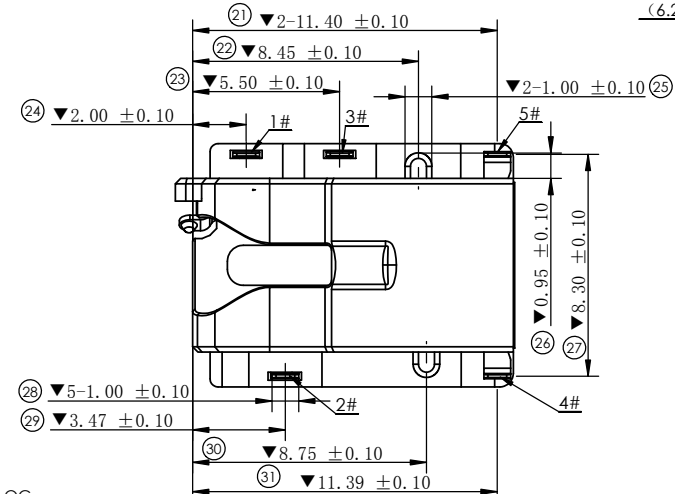
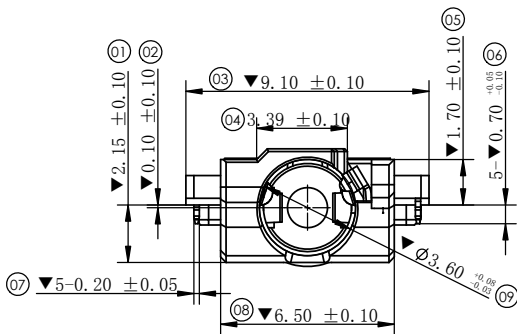
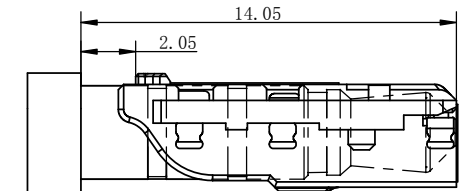
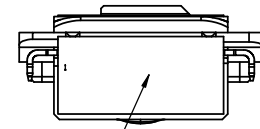
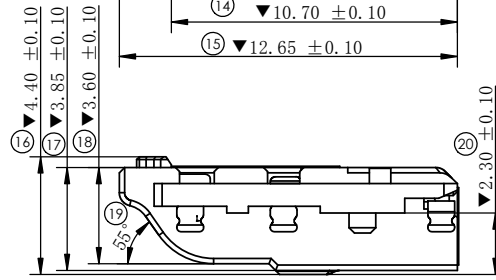


HALOGEN FREE

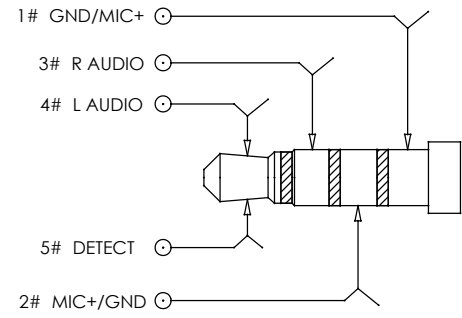
HOUSING	HIGH TEMP THERMOPLASTIC	BLACK,UL 94V-0	1
Mylar	KAPTON T=0.05mm	/	1
Mylar	KAPTON T=0.05mm	/	1
DETECT	STEEL T=0.20mm	50U" MIN Ni UNDER PLATED OVER ALL	1
L AUDIO		15U" MIN AU ON CONTACT AREA	1
R AUDIO		3U" MIN AU ON SOLDER AREA	1
GND	COPPER ALLOY T=0.20mm		1
MIC			1
NAME	MATERIAL	FINISH	QTY



P.C.B LAYOUT (TOLERANCE:±0.05)



APPLICABLE PLUG



- NOTES:
 1.ALL DIMENSIONS MARKED ▼ MUST BE CONTROLLED EVERYDAY BY QC.
 2.ALL DIMENSIONS MARKED (XX) MUST BE MEASURE BY FAI
 3.PRODUCT SPECIFICATIONS:
 3-1 WITHSTANDING: 500V AC/MINUTE
 3-2 INSULATION RESISTANCE: 1000 MEGOHM Min.(500V DC for 1 minute)
 3-3 CONTACT RESISTANCE: 50 MILLIOHM (initial) Max.
 3-4 MATING AND UNMATING FORCE : 0.5-2.0 Kgf. (BTFORE DURABILITY)
 3-5 MATING AND UNMATING FORCE : 0.4-2.0 Kgf. (AFTER DURABILITY)
 3-6 OPERATION TEMPERATURE : -25° TO +85°
 3-7 STORAGE TEMPERATURE: -25° TO +85°
 3-8 DURABILITY : 5000 CYCLES

				UNITS: mm	GENERAL TOLERANCE		DRAW:	PART NO:
				DATE: 05/02/2018	X. ±	X.' ±2.00'	CHECKED:	PH122-0B21C44M
				SCALE: 5/1	.X ±0.30	.X' ±1.00'	APPROVE:	NAME: ø3.50MM PHONE JACK CONN.
				SHEET: 1/1	.XX ±0.20	.XX' ±0.50'		DRAWING NO: C-PH122-0000
REV.	ECN NO.	DESCRIPTION	DATE	REV.	FINISH: SEE NOTE		昆山捷皇电子精密科技有限公司 HONGRIDA ELECTRONIC TECHNOLOGY CO., LTD.	