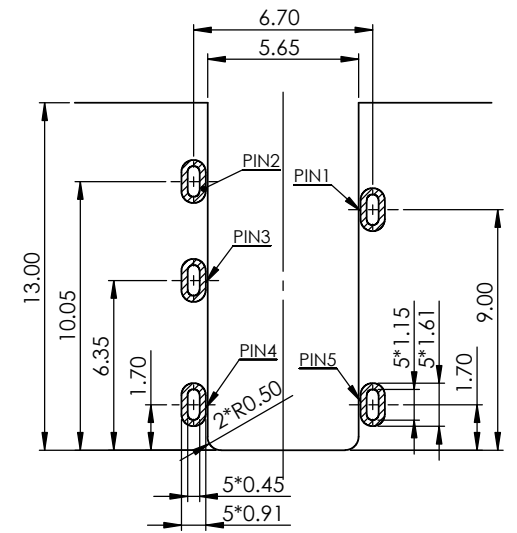
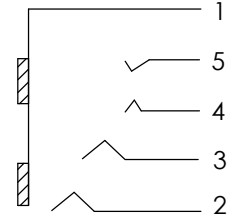
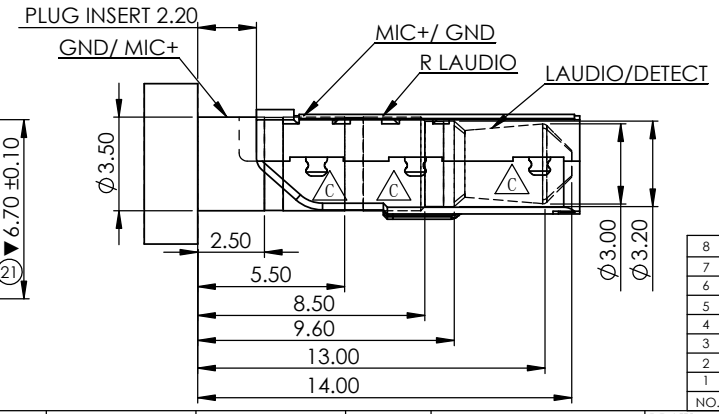
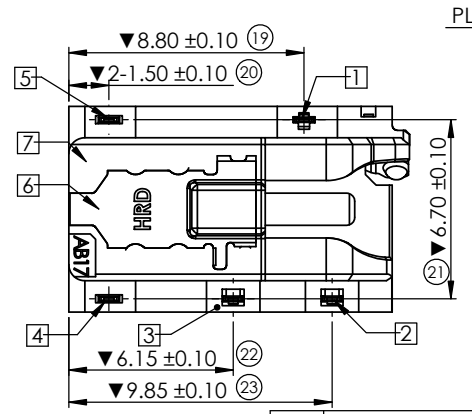
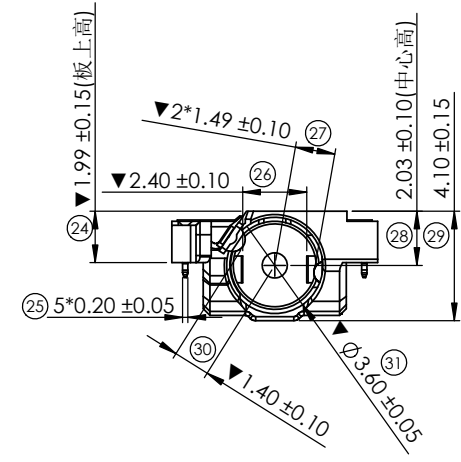
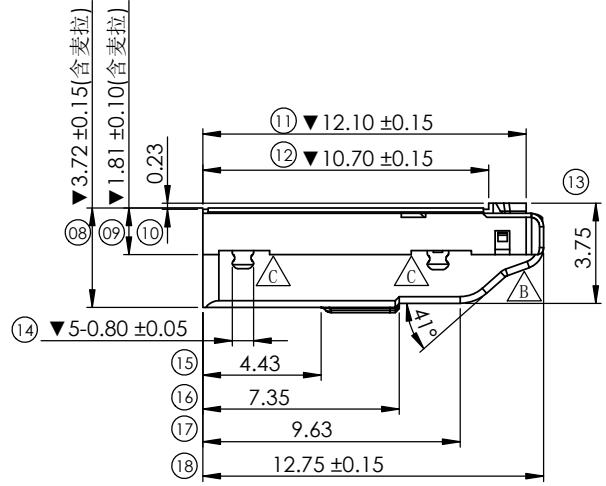
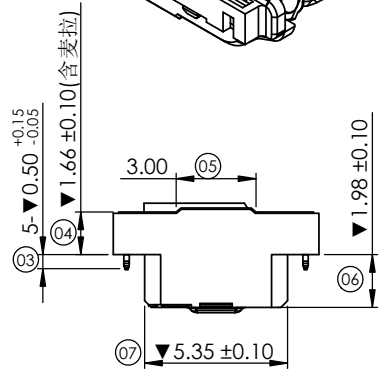


| NO. | DESCRIPTION |
|-----|------------------|
| 1 | GND / MIC+ |
| 2 | MIC+ / GND |
| 3 | R AUDIO |
| 4 | L AUDIO / DETECT |
| 5 | DETECT / L AUDIO |



PCB LAYOUT (TOP VIEW)
SCALE 5: 1 (TOLERANCE ±0.05)



NOTES:
 1. MATERIAL:
 HOUSING: PA 9T, BLACK, UL 94 V-0
 CONTACT: SEE TABLE
 2. FINISH:
 3u" Min Au PLATING ON CONTACT AREA
 1u" Min Au PLATING ON SOLDER AREA
 50u" Ni UNDER PLATING OVER ALL
 3. ALL DIMENSIONS MARKED ▼ MUST BE CONTROLLED BY QC
 4. ALL DIMENSIONS MARKED (XX) MUST BE MEASURED BY FAI
 5. PRODUCT SPECIFICATIONS:
 5-1 WITHSTANDING VOLTAGE: 500V AC/MINUTE
 5-2 CONTACT RESISTANCE: 50 mΩ Max.
 5-3 INSULATION RESISTANCE: 1000 MΩ Min.
 5-4 BEFORE DURABILITY: MATING FORCE: 7-20 N.
 UNMATING FORCE: 7-20 N.
 5-5 AFTER DURABILITY: MATING FORCE: 6-20 N.
 UNMATING FORCE: 6-20 N.
 5-6 OPERATION TEMPERATURE: -55° TO +85°
 5-7 STORAGE TEMPERATURE: -40° TO +85°
 5-8 DURABILITY: 10000 CYCLES

| NO. | Parts Name | Q' | TY | Material | Finish | Remarks |
|-----|------------|----|----|-------------|---------|---------|
| 8 | MYLAR | 1 | | CAPTON | | Black |
| 7 | HOUSING | 1 | | PA9T | UL94 V0 | Black |
| 6 | CONTACT-6 | 1 | | SUS304-H | | T=0.15 |
| 5 | CONTACT-5 | 1 | | SUS304-3/4H | Ni+Au | T=0.20 |
| 4 | CONTACT-4 | 1 | | SUS304-3/4H | Ni+Au | T=0.20 |
| 3 | CONTACT-3 | 1 | | C5210-H | Ni+Au | T=0.20 |
| 2 | CONTACT-2 | 1 | | C5210-H | Ni+Au | T=0.20 |
| 1 | CONTACT-1 | 1 | | C5210-H | Ni+Au | T=0.20 |

| | | | | | | | |
|------|-----------|-------------|------------|---------------------|----------------------------|--|-----------------------------------|
| D | E1903082A | 产品增加预断管控 | 03/12/2019 | UNITS: mm | GENERAL TOLERANCE | DRAW: | PART NO: PH92-AB17A41M |
| C | E1811533A | 优化锡脚结构 | 12/18/2018 | DATE: 08/28/2018 | X. ±0.25 .X' ±2.00' | CHECKED: | NAME: φ3.50MM PHONE JACK CONN. |
| B | E1810443A | 优化产品结构 | 10/08/2018 | SCALE: 5/1 | .XX ±0.15 .XXX ±0.08 | APPROVE: | DRAWING NO: C-PH92-750 |
| A | | NEW | 08/28/2018 | SHEET: 1/1 | TITLE: Customer Drawing | 昆山捷皇电子精密科技有限公司 HONGRIDA ELECTRONIC TECHNOLOGY CO., LTD. | |
| REV. | ECN NO. | DESCRIPTION | DATE | REV. A | FINISH: SEE NOTE | | |