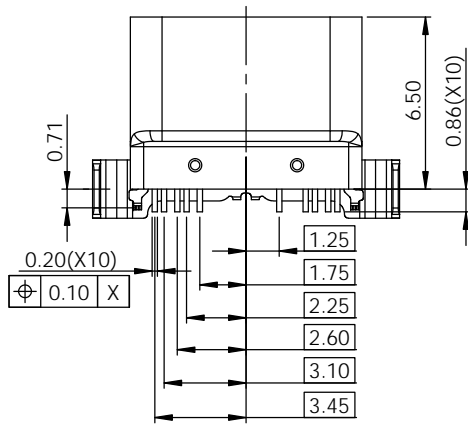
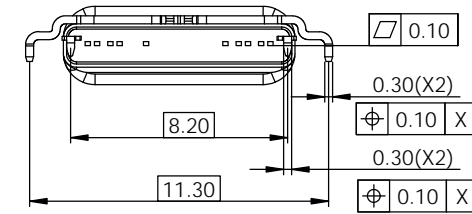
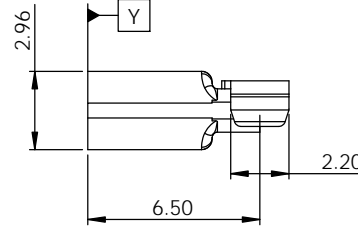
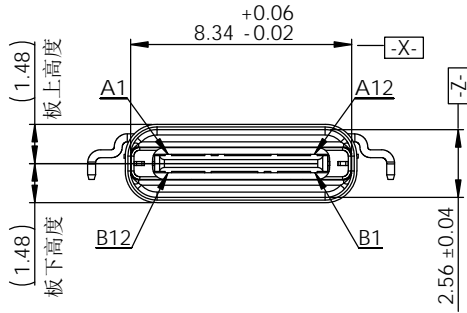


PIN ASSINGMENT											
A1	A2	A3	A4	A5	A6	A7	A8	A9	A10	A11	A12
GND	SSIXp1	SSIXn1	VBUS	CC1	D+	D-	SBU1	VBUS	SSRXn2	SSRXp2	GND
GND	SSRXp1	SSRXn1	VBUS	SBU2	D-	D+	CC2	VBUS	SSRXn2	SSIXp2	GND
B12	B11	B10	B9	B8	B7	B6	B5	B4	B3	B2	B1

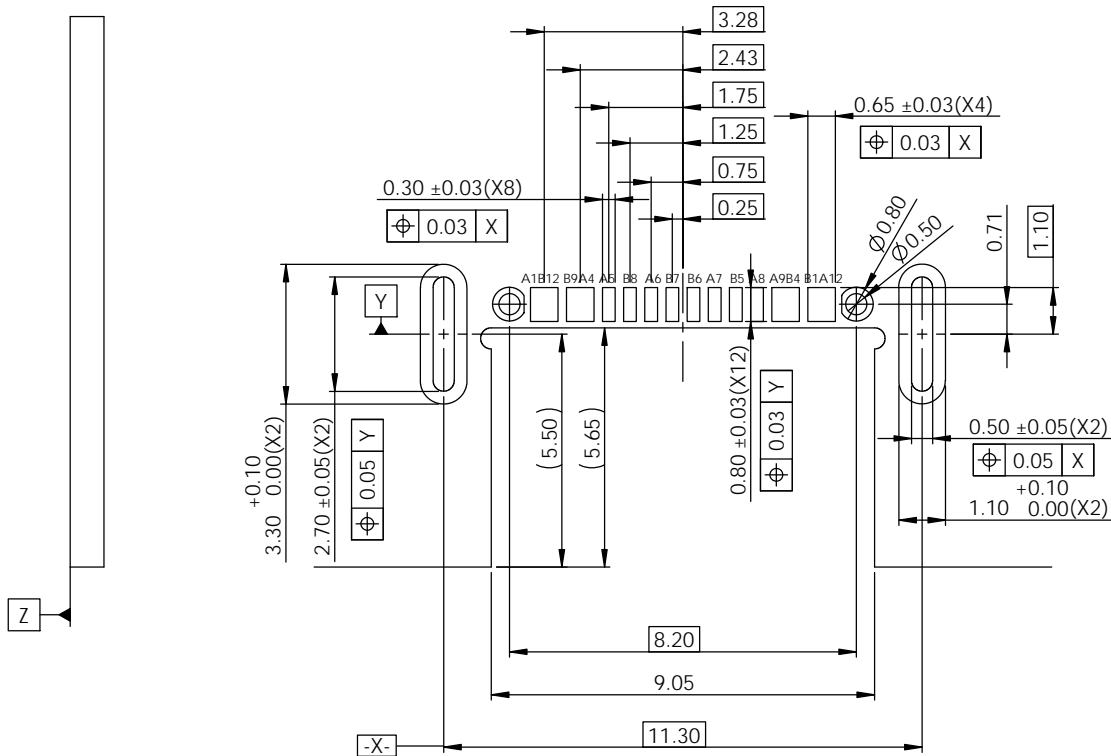


8	GLUE	1	SILICA GEL
7	OUT SHELL	1	STAINLESS STEEL/Ni PLATED
6	SHELL	1	STAINLESS STEEL/Ni PLATED
5	MOLIDING2	1	THERMOPLASTIC UL94V-0
4	MOLIDING1	1	THERMOPLASTIC UL94V-0
3	GROUND PLATE	1	STAINLESS STEEL/Ni PLATED
2	DOWN CONTACT	5	COPPER /Au PLATED
1	UP CONTACT	5	COPPER /Au PLATED
ITEM	NAME	Q'TY	MATERIAC/FINISH

				UNITS: mm	GENERAL TOLERANCE		DRAW: GTP	PART NO: UC37-0B000XR6
				DATE: 03/01/2020	X. ±0.25	X.° ±2.00°	CHECKED: /	NAME TYPE C REC 10PIN CH-0
				SCALE: 5 / 1	.X ±0.20	.X° ±1.00°	APPROVE: FYI	DRAWING NO: C-UC37-02-00
B		增加电镀规格	04/09/2020	SHEET: 1 / 2	.XX ±0.15	.XX° ±0.50°		
A		NEW	03/01/2020	TITLE: CUSTOMER DRAWING	.XXX ±0.10			
REV.	ECN NO.	DESCRIPTION	DATE	REV. B	FINISH: SEE NOTE			



鸿日达科技股份有限公司  
HONGRIDA ELECTRONIC TECHNOLOGY CO., LTD.



NOTES:

- 1.0. ELECTRICAL CHARACTERISTICS
  - 1.1. LOW LEVEL CONTACT RESISTANCE:  
40m ohm MAX FOR ALL CONTACT .  
50m ohm MAX. AFTER ENVIRNMENT TEST
  - 1.2. DIELECTRIC WITHSTANDING VOLTAGE  
100 VAC FOR 1 MINUTE SEA LEVEL
  - 1.3. INSULATION RESISTANCE  
100meg ohm MIN
  - 1.4. CURRENT RATING  
CONTACT CURRENT RATING:3A
- 2.0. MECHANICAL CHARACTERISTICS:
  - 2.1. INSERTION FORCE: 20N MAX
  - 2.2. EXTRACTION FORCE 1-1000 CYCLES 8N MIN. 20 N MAX.  
EXTRACTION FORCE 1001-10000 CYCLES 6N MIN. 20 N MAX.
  - 2.3. DURABILITY : 10,000 CYCLES
  - 3.0 .OPERATING TEMPERATURE: -55° TO +85°
  - 4.0.WATERPROOF GRADE:IPX7
  - 5.0.SALT SPRAY: 24 HOURS

CONNECTOR NUMBER CODE

UC37 - 0 B 000 X R 6  
 1 2 3 4 5

RECOMMENDED PCB LAYOUT  
 PCB THICKNESS IS 0.8mm  
 DEFAULT TOLERANCE +/-0.05

1:PRODUCT DESCRIPTION:  
UC37:USB 2.0 TYPE C REC MIDDLE MOUNT TYPE


2:PRODUCT TYPE  
0:SMT TYPE

3:COLOUR OF HOUSING  
B:BLACK

4:CENTER HEIGHT  
000:CH=0mm

5:CONTACT PLATING  
F: GOLD FLASH ON CONTACT AREA

- △ B
- 1: Au5u'' ON CONTACT AREA
  - 2: Au15u'' ON CONTACT AREA
  - 3: Au30u'' ON CONTACT AREA
  - 4: Pd/Ni30u'' + Au5u'' ON CONTACT AREA

				UNITS: mm	GENERAL TOLERANCE	DRAW: GTP	PART NO: UC37-0B000XR6
				DATE: 03/01/2020	X. ±0.25 X.* ±2.00° .X ±0.20 .X* ±1.00°	CHECKED: /	NAME TYPE C REC 10PIN CH-0
B		增加电镀规格	04/09/2020	SCALE: 8 / 1	.XX ±0.15 .XX* ±0.50° .XXX ±0.10	APPROVE: FYI	DRAWING NO: C-UC37-02-00
A		NEW	03/01/2020	SHEET: 2 / 2	TITLE: CUSTOMER DRAWING	 <b>鸿日达科技股份有限公司</b> HONGRIDA ELECTRONIC TECHNOLOGY CO.,LTD.	
REV.	ECN NO.	DESCRIPTION	DATE	REV. B	FINISH: SEE NOTE		