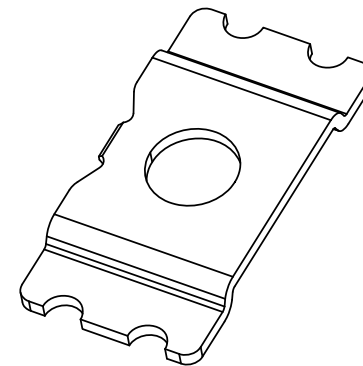
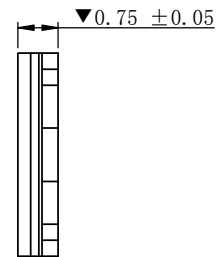
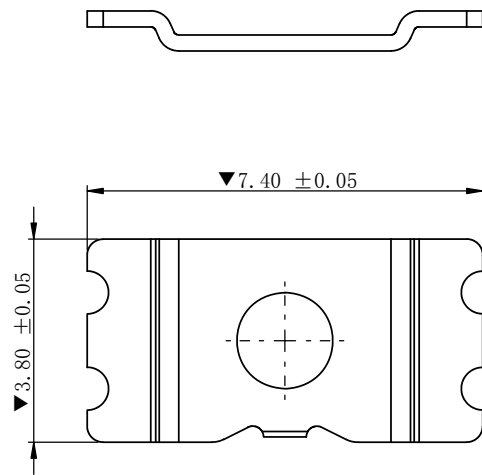
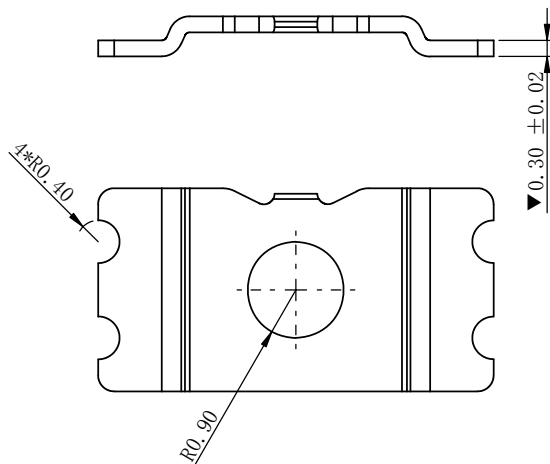



  $\nabla 0.10$

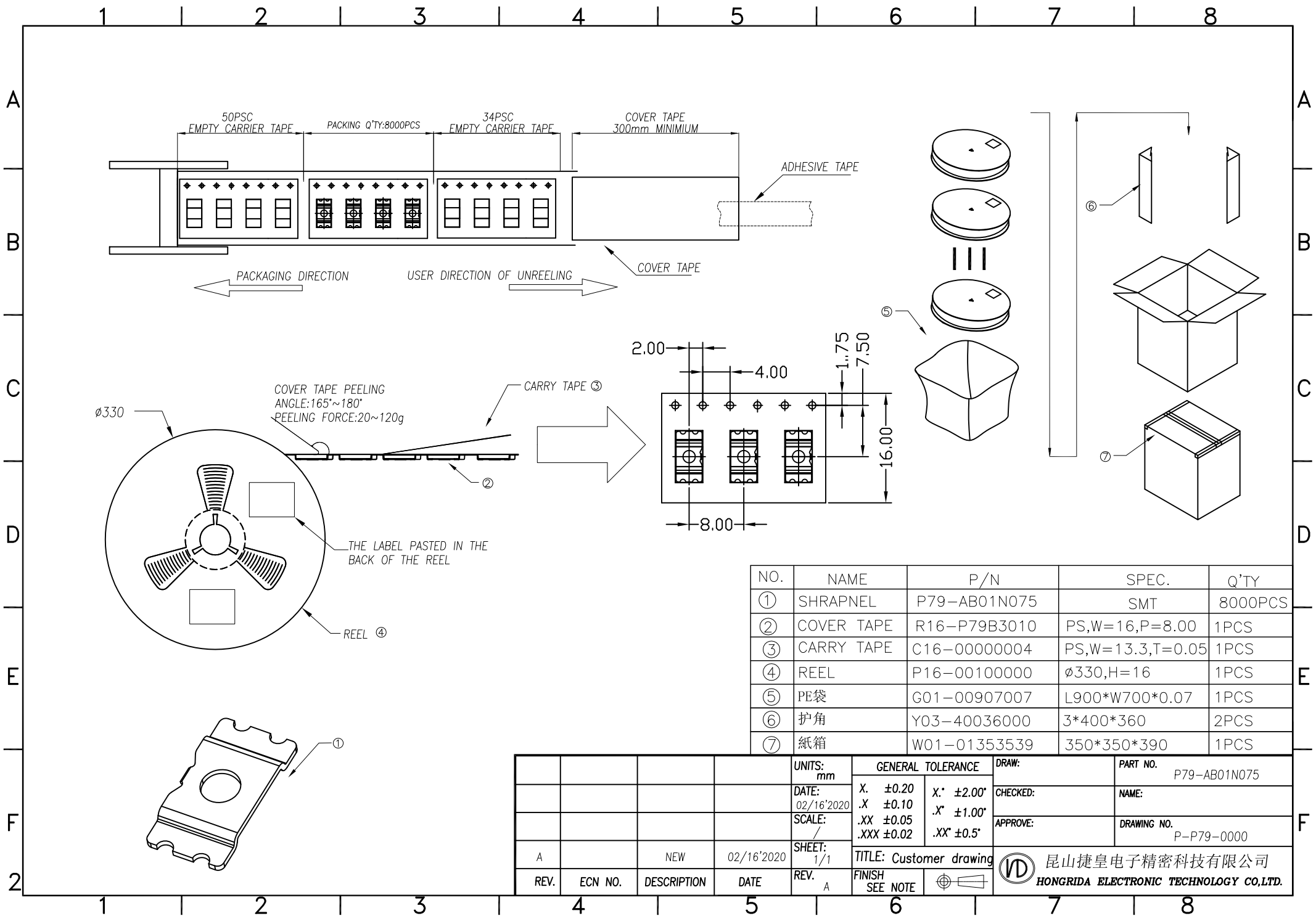


3D VIEW



- NOTES:  
 1. MATERIAL :  
 1-1:C7701R-1/2H, T=0.30mm  
 2. PACKING SPECIFICATION:TAPE&REEL.  
 3. COMPLIANT WITH RoHS STANDARD.

				UNITS: mm	GENERAL TOLERANCE		DRAW:	PART NO: P79-AB01N075
				DATE: 01/18/2020	X. ±0.20	X." ±2.00'	CHECKED:	NAME: Boss垫高钢片
				SCALE: 20 / 1	.X ±0.15	.X' ±1.00'	APPROVE:	DRAWING NO: C-P79-0000-A
				SHEET: 1 / 1	.XX ±0.10	.XX' ±0.50'		
REV. A		NEW	01/18/2020	REV. A	TITLE: CUSTOMER-DRAWING		 昆山捷皇电子精密科技有限公司 HONGRIDA ELECTRONIC TECHNOLOGY CO, LTD.	
	ECN NO.	DESCRIPTION	DATE		FINISH: SEE NOTE			



NO.	NAME	P/N	SPEC.	Q'TY
①	SHRAPNEL	P79-AB01N075	SMT	8000PCS
②	COVER TAPE	R16-P79B3010	PS,W=16,P=8.00	1PCS
③	CARRY TAPE	C16-00000004	PS,W=13.3,T=0.05	1PCS
④	REEL	P16-00100000	ø330,H=16	1PCS
⑤	PE袋	G01-00907007	L900*W700*0.07	1PCS
⑥	护角	Y03-40036000	3*400*360	2PCS
⑦	纸箱	W01-01353539	350*350*390	1PCS

				UNITS: mm	GENERAL TOLERANCE		DRAW:	PART NO.
				DATE: 02/16'2020	X. ±0.20	X' ±2.00'	CHECKED:	P79-AB01N075
				SCALE: /	.X ±0.10	.X' ±1.00'	APPROVE:	NAME:
				SHEET: 1/1	.XX ±0.05	.XX' ±0.5'		DRAWING NO.
A		NEW	02/16'2020		.XXX ±0.02			P-P79-0000
REV.	ECN NO.	DESCRIPTION	DATE	REV. A	TITLE: Customer drawing	昆山捷皇电子精密科技有限公司 HONGRIDA ELECTRONIC TECHNOLOGY CO.,LTD.		